

FOR YEARS TO COME

# freggia

## **BUILT-IN REFRIGERATOR**

**ВСТРОЕННЫЙ ХОЛОДИЛЬНИК**  
**ВБУДОВАНИЙ ХОЛОДИЛЬНИК**  
**CHŁODZIARKA DO ZABUDOWY**

User manual

Руководство пользователя

Інструкція з експлуатації

Instrukcja obsługi

LSB1400

## EN

Thank you for purchasing Freggia household appliance.

Please carefully read the user manual, as it contains the instructions for the safe installation, operation and maintenance of the household appliance.

Save it for future use.

## RU

Благодарим Вас за приобретение бытовой техники компании Freggia. Пожалуйста, внимательно прочитайте данное руководство пользователя, так как в нем содержатся инструкции по безопасной установке, эксплуатации и обслуживанию бытовой техники.

Сохраните его для использования в будущем.

## UA

Дякуємо Вам за те, що Ви придбали побутову техніку компанії Freggia. Будь ласка, уважно прочитайте керівництво з експлуатації, бо в ньому містяться інструкції з безпечної установки, експлуатації та обслуговування побутової техніки.

Зберігайте його для подальшого використання.

## PL

Dziękujemy za zakup sprzętu AGD marki Freggia. Prosimy o zapoznanie się z instrukcją obsługi, gdyż zawiera wskazówki dotyczące bezpiecznej instalacji, użytkowania i konserwacji zakupionego urządzenia.

Zalecamy zachowanie niniejszej instrukcji do wykorzystania w przyszłości, jak również zapisanie nazwy modelu i numeru seryjnego Państwa urządzenia.

 **ATTENTION!**  
Important safety information.

**ВНИМАНИЕ!**  
Важная информация по безопасности.

**УВАГА!**  
Важлива інформація з безпеки.


**UWAGA!**  
Ważna informacja dotycząca bezpieczeństwa.

 **IMPORTANT:**  
Edditional recommendations regarding usage.

**ПОЛЕЗНАЯ ИНФОРМАЦИЯ:**  
дополнительная информация по эксплуатации.

**КОРИСНА ІНФОРМАЦІЯ:**  
додаткова інформація з експлуатації приладу.

**PRZYDATNA INFORMACJA:**  
dodatkowa informacja dotycząca eksploatacji  
chłodziarki.

 **NOTE:**  
Care and maintenance.

**СОВЕТ:**  
советы и рекомендации по эксплуатации.

**ПОРАДА:**  
поради та рекомендації з експлуатації приладу.

**WSKAZÓWKA:**  
Wskazówki i porady dotyczące eksploatacji urządzenia.

BEFORE USING THE APPLIANCE.....	3
GENERAL WARNINGS.....	4
SAFETY WARNINGS.....	4
INSTALLING AND OPERATING YOUR FRIDGE.....	4
BEFORE USING YOUR FRIDGE.....	4
HOW TO OPERATE THE APPLIANCE.....	4
THERMOSTAT SETTING.....	4
FOOD STORAGE IN THE APPLIANCE.....	5
CLEANING AND MAINTENANCE.....	5
DEFROSTING THE REFRIGERATOR.....	5
REPLACING THE LIGHT BULB.....	5
SHIPMENT AND REPOSITIONING.....	5
BEFORE CALLING YOUR AFTER SALES SERVICE.....	6
TIPS FOR SAVING ENERGY.....	5
PARTS OF THE APPLIANCE AND THE COMPARTMENTS.....	6
INSTALLATION INSTRUCTIONS.....	19

## GENERAL WARNINGS

- ! WARNING!**  
**Keep ventilation openings, in the appliance enclosure or in the built-in structure, clear of obstruction.**
  
- ! WARNING!**  
**Do not use mechanical devices or other means to accelerate the defrosting process, other than those recommended by the manufacturer.**
  
- ! WARNING!**  
**Do not use electrical appliances inside the food storage compartments of the appliance, unless they are of the type recommended by the manufacturer.**
  
- ! WARNING!**  
**Do not damage the refrigerant circuit.**
  
- ! WARNING!**  
**To avoid a hazard due to the instability of the appliance, it must be fixed in accordance with the instructions.**
  - If your appliance uses R600a as a refrigerant – you can learn this information from the label on the cooler- you should be careful during shipment and installation to prevent your appliance's cooler elements from being damaged. Although R600a is an environmentally friendly and natural gas, it is explosive. In the event of a leak caused by damage to the cooler elements, move your fridge from open flame or heat sources and ventilate the room where the appliance is located for a few minutes.
  - While carrying and positioning the fridge, do not give damage to the cooler gas circuit.
  - Do not store explosive substances such as aerosol cans with a flammable propellant in this appliance.
  - This appliance is intended to be used in households and similar applications such as;
    - staff kitchen areas in shops, offices and other working environments
    - farm houses and by clients in hotels, motels and other residential type environments
    - bed and breakfast type environments;
    - catering and similar non-retail applications
  - If the socket does not match the refrigerator plug, it must be replaced by the manufacturer, its service agent or similar qualified persons in order to avoid a hazard.
  - This appliance is not intended for use by persons (including children) with reduced physical, sensory or mental capabilities, or lack of experience and knowledge, unless they have been given supervision or instruction concerning use of the appliance by a person responsible for their safety. Children should be supervised to ensure that they do not play with the appliance.
  - A specially grounded plug has been connected to the power cable of your refrigerator. This plug should be used with a specially grounded socket of 16 amperes. If there is no such socket in your house, please have it installed by an authorized electrician.
  - This appliance can be used by children aged from 8 years and above and persons with reduced physical, sensory or mental capabilities or lack of experience and knowledge if they have been given supervision or instruction concerning use of the appliance in a safe way and understand the hazard involved.
  - Children should not play with the appliance. Cleaning and user maintenance should not be made by children without supervision.
  - If the supply cord is damaged, it must be replaced by the manufacturer, its service agent or similar qualified persons in order to avoid a hazard.

## • OLD AND OUT-OF-ORDER FRIDGES



- If your old fridge has a lock, break or remove the lock before discarding it, because children may get trapped inside it and may cause an accident.
- Old fridges and freezers contain isolation material and refrigerant with CFC. Therefore, take care not to harm the environment when you are discarding your old fridges.
- Please ask your municipal authority about the disposal of the WEEE for the reuse, recycle and recovery purposes.

## BEFORE USING THE APPLIANCE

### NOTES:

- Please read the instruction manual carefully before installing and using your appliance. We are not responsible of the damage occurred due to misuse.
- Follow all instructions on your appliance and instruction manual, and keep this manual in a safe place to resolve the problems that may occur in the future.
- This appliance is produced to be used at houses and it can only be used in house and for the specified purposes. It is not suitable for commercial or common use. Such use will cause the guarantee of the appliance to be cancelled and our company will not be responsible for the losses to be occurred.
- This appliance is produced to be used in houses and it is only suitable for cooling / storing foods. It is not suitable for commercial or common use and/or for storing substances except for food. Our company is not responsible for the losses to be occurred in the contrary case.

### SAFETY WARNINGS

- Do not use multiple receptacles or extension cord.
- Do not plug in damaged, torn or old plugs.
- Do not pull, bend or damage the cord.
- This appliance is designed for use by adults, do not allow children to play with the appliance or let them to hang over the door.



- Do not plug-in or out the plug from the receptacle with wet hands to prevent electrocution!
- Do not place explosive or flammable material in your fridge for your safety. Place drinks with higher alcohol amount vertically and by closing their necks tightly in the fridge.
- Do not cover the body or top of fridge with lace. This affects the performance of your fridge.
- Fix the accessories in the fridge during transportation to prevent damage to accessories.



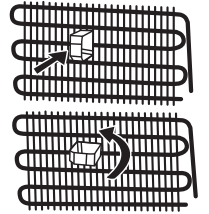
### INSTALLING AND OPERATING YOUR FRIDGE

Before starting to use your fridge, you should pay attention to the following points:

- Operating voltage for your fridge is 220-240 V at 50Hz.
- The plug must be accessible after installation.
- There can be an odor when you first switch on the appliance. It will disappear after the appliance starts to cool.
- Before making the connection to the power supply, ensure that the voltage on the nameplate corresponds to the voltage of electrical system in your home.
- Insert the plug into a socket with an efficient ground connection. If the socket has no ground contact or the plug does not match, we suggest you to call an authorized electrician for assistance.
- The appliance must be connected with a properly installed fused socket. Power supply (AC) and voltage at the operating point must with the details on the name plate of the appliance (name plate is located on the inside left of the appliance).
- We do not take responsibility for damages that occur due to ungrounded usage.
- Place your fridge in a place that it would not be exposed to direct sunlight.
- Your fridge should never be used outdoors or left under the rain.
- Your appliance should be at least 50 cm away from stoves, Gas ovens and heater cores, and should be at least 5 cm away from electrical ovens.
- When your fridge is placed next to a deep freezer, there should be at least 2 cm between them to prevent humidity on the outer surface.

## BEFORE USING THE APPLIANCE

- Do not place heavy items on the appliance.
- Clean the appliance thoroughly, especially in the interior, before use (See Cleaning and Maintenance).
- Installation procedure into the kitchen unit is given in the The installation procedure into the kitchen unit is given in the Installation Manual. This product is intended to be used in proper kitchen units only.
- The adjustable front legs should be adjusted to an appropriate height to allow your freezer to operate in a stable and proper way. You can adjust the legs by turning them clockwise (or in the opposite direction). This should be done before placing food in the freezer.
- Before using your fridge, wipe all parts with warm water added with a tea spoonful of sodium bicarbonate, and then rinse with clean water and dry. Place all parts after cleaning.
- Install the distance adjustment plastic (the part with black vanes at the rear) by turning it 90° as shown in the figure to prevent the condenser from touching the wall.



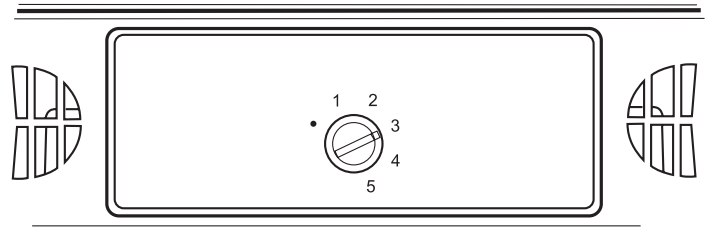
### BEFORE USING YOUR FRIDGE

- When it is operated for the first time or after transportation, keep your fridge in the upright position for 3 hours and plug it on to allow efficient operation. Otherwise, you may damage the compressor.
- Your fridge may have a smell when it is operated for the first time; the smell will fade away when your fridge starts to cool.



## HOW TO OPERATE THE APPLIANCE

### THERMOSTAT SETTING



Thermostat automatically regulates the inside temperature of the refrigerator. By rotating the knob from position 1 to 5, colder temperatures can be obtained.

**Important!**  
Do not try to rotate knob beyond 1 position it will stop your appliance.

- For short-term storage of food in the fridge, you can set the knob between minimum and medium position (1-3).
- For long-term storage of food in the fridge, you can set knob medium position. (3-4)

Note that; the ambient temperature, temperature of the freshly stored food and how often the door is opened, affects the temperature in the fridge. If required, change the temperature setting.

- When you first switch on the appliance, you should ideally try to run it without any food in for 24 hours and not open the door. If you need to use it straight away, try not to put much food inside.
- If the unit is switched off or unplugged, you must allow at least 5 minutes before restarting in order not to damage the compressor.
- The larders (coolers) have not any freezer compartment but can cool up to 4 - 6 °C.

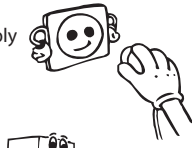
# FOOD STORAGE IN THE APPLIANCE

The fridge is used for storing fresh food for few days.

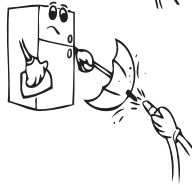
- Do not place food in direct contact with the rear wall of the refrigerator. Leave some space around food to allow circulation of air.
- Do not place hot food or evaporating liquid in the refrigerator.
- Always store food in closed containers or wrapped.
- To reduce humidity and avoid formation of frost, never place liquids in unsealed containers in the refrigerator.
- Meat of all types, wrapped in packages, is recommended to be placed on the glass shelf just above the vegetable bin, where the air is colder.
- You can put the fruits and vegetables into crisper without packing.
- To avoid the cold air escaping, try not to open the door too often, and not leave the door open for a long time.

## CLEANING AND MAINTENANCE

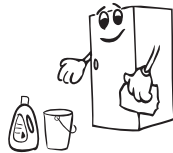
- Disconnect the appliance from the power supply before cleaning.



- Do not wash your fridge by pouring water.



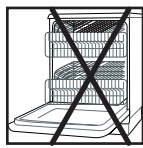
- The refrigerator should be cleaned periodically using a solution of bicarbonate of soda and lukewarm water.



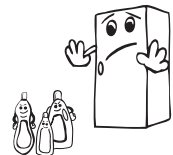
- You can wipe the inner and outer sides with a soft cloth or a sponge using warm and soapy water.



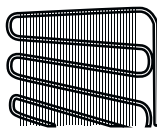
- Clean the accessories separately with soap and water. Do not put them in the dishwasher.



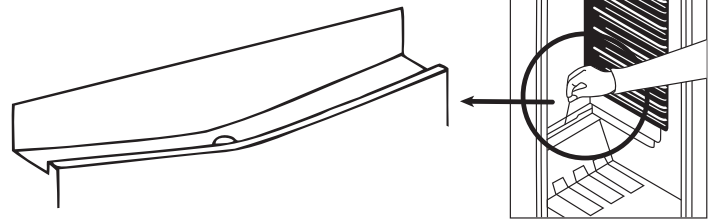
- Do not use abrasive products, detergents or soaps. After washing, rinse with clean water and dry carefully. When the cleaning operations have been completed, reconnect the plug with dry hands.



- You should clean the condenser with broom at least once a year in order to provide energy saving and increase the productivity.



## DEFROSTING THE REFRIGERATOR



- Defrosting occurs automatically in refrigerator during operation; the defrost water is collected by the evaporating compartment and evaporates automatically.
- The defrost water drain hole should be cleaned periodically with defrost drain plug to prevent the water from collecting on the bottom of the refrigerator instead of flowing out.
- You can also pour ½ glass of the water to drain hole to clean inside.

## REPLACING THE LIGHT BULB

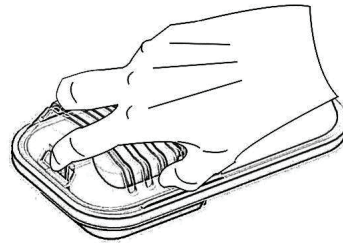


Figure 1

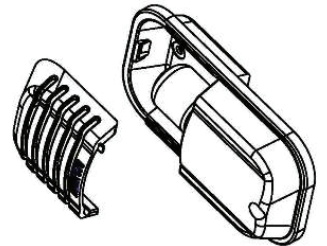


Figure 2

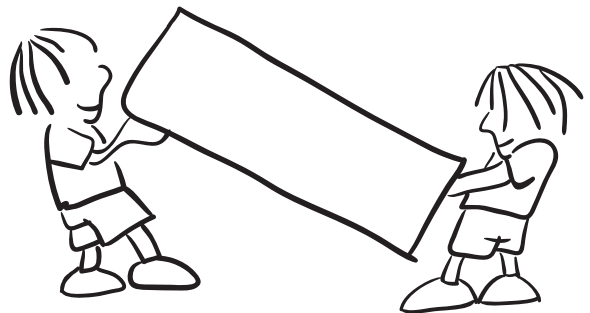
### • WHEN REPLACING THE BULB OF THE REFRIGERATOR;

1. Unplug the unit from the power supply,
2. Press the hook in front of the light cover such as Figure 1 and remove the light cover,
3. Change the present light bulb with a new one of not more than 15 W.
4. Replace the light cover and after waiting 5 minutes plug the unit.

## SHIPMENT AND REPOSITIONING

Transportation and changing of installation position

- Original package and foam may be kept for re-transportation (optionally).
- You should fasten your fridge with thick package, bands or strong cords and follow the instructions for transportation on the package for re-transportation.
- Remove movable parts (shelves, accessories, vegetable bins etc.) or fix them into the fridge against shocks using bands during re-positioning and transportation.



# BEFORE CALLING YOUR AFTER SALES SERVICE

If your refrigerator is not working properly, it may be a minor problem, therefore check the following.

**The appliance does not operate,  
Check if;**

- There is a power failure,
- The mains plug is not properly plugged in, or is loose
- The thermostat setting is on position “•“;
- The socket is defective. To check this, plug in another appliance that you know which is working into the same socket.

**The appliance performs poorly;  
Check if;**

- You have overloaded the appliance,
- The door is not closed perfectly,
- There are not enough ventilation ducts on the kitchen unit as mentioned in the Installation Manual.

**If there is noise;**

The cooling gas which circulates in the refrigerator circuit may make a slight noise (bubbling sound) even when the compressor is not running. Do not worry, this is quite normal. If these sounds are different check if;

- The appliance is installed firmly as described in the installation manual.
- The objects on the appliance are vibrating.

**If there is water in the lower part of the refrigerator;  
Check if;**

The drain hole for defrost water is not clogged (use defrost drain plug to clean the drain hole).

**If your fridge is not cooling enough;**

Your fridge is designed to operate in the ambient temperature intervals stated in the standards, according to the climate class stated in the information label. We do not recommend operating your fridge out of stated temperatures value limits in terms of cooling effectiveness.

Climate Class	Ambient Temperature °C
T	Between 16 and 43 (°C)
ST	Between 16 and 38 (°C)
N	Between 16 and 32 (°C)
SN	Between 10 and 32 (°C)

**• RECOMMENDATIONS**

- While power cut, to prevent any compressor problem you should plug out the refrigerator. You should delay plugging in 5 – 10 minutes after you power supply.
- If you plug out the refrigerator for a reason you should wait at least 5 min to replug. It is important for avoiding damage to refrigerator's components.
- The cooling unit of your refrigerator is hidden in the rear wall. Therefore, water droplets or icing may occur on the rear surface of your fridge due to the operation of the compressor in specified intervals. This is normal. There is no need to perform a defrosting operation unless the icing is excessive.
- If you will not use your fridge for a long time (e.g. in summer holidays), put the thermostat to «•» position. After defrosting, clean your fridge and leave the door open to prevent humidity and smell.
- If the problem persists after you have followed all the instructions above, please consult to the nearest Authorised Service.
- The appliance you have purchased is designed for home type use and can be used only at home and for the stated purposes. It is not suitable for commercial or common use. If the consumer use the appliance in a way that does not comply with these features, we emphasise that the producer and the dealer shall not be responsible for any repair and failure within the guarantee period.
- The lifetime of your appliance stated and declared by the Department of the Industry (the period for retaining parts required for the proper functioning of the appliance) is 10 years.

**• CONFORMITY INFORMATION**

- This appliance is designed for use at an ambient temperature within the 10°C - 32°C range.
- The appliance is designed in compliance with the IEC60335-1 / IEC60335-2-24, 2004/108/EC standards.

**TIPS FOR SAVING ENERGY**

1. Install the appliance in a cool, well ventilated room, but not in direct sunlight and not near heat source (radiator, cooker.. etc). Otherwise use an insulating plate.
2. Allow food and drinks to cool down outside the appliance.
3. When placing drinks and slops they must be covered. Otherwise humidity increases at the appliance. Therefore the working time gets longer. Also covering drinks and slops helps to save smell and taste.
4. When placing food and drinks, open the appliance door as briefly as possible.
5. Keep close the covers of any different temperature compartment in the appliance (crisper, chiller ...etc).
6. Door gasket must be clean and pliable. Replace gaskets if worn.

## PARTS OF THE APPLIANCE AND THE COMPARTMENTS



**The purpose of this presentation is informing you about the parts of your appliance.**

**The parts may vary depending on the model of the appliance.**

- 1) Fridge shelves
- 2) Crisper cover
- 3) Crisper
- 4) Thermostat knob
- 5) Door shelves
- 6) Egg holder



ПЕРЕД ЭКСПЛУАТАЦИЕЙ ИЗДЕЛИЯ.....	7
ОБЩИЕ ПРЕДОСТЕРЕЖЕНИЯ.....	7
СТАРЫЕ И НЕИСПРАВНЫЕ ХОЛОДИЛЬНИКИ.....	7
ПРАВИЛА ТЕХНИКИ БЕЗОПАСНОСТИ.....	8
УСТАНОВКА И ЭКСПЛУАТАЦИЯ ХОЛОДИЛЬНИКА.....	8
ПЕРЕД ИСПОЛЬЗОВАНИЕМ ХОЛОДИЛЬНИКА.....	8
КАК ПОЛЬЗОВАТЬСЯ ИЗДЕЛИЕМ.....	8
НАСТРОЙКА ТЕРМОСТАТА.....	8
ХРАНЕНИЕ ПРОДУКТОВ В ХОЛОДИЛЬНОМ ШКАФУ...8	
ЧИСТКА И ОБСЛУЖИВАНИЕ.....	9
РАЗМОРАЖИВАНИЕ ХОЛОДИЛЬНИКА.....	9
ЗАМЕНА ЛАМПОЧКИ.....	9
ТРАНСПОРТИРОВКА И ПЕРЕСТАНОВКА.....	9
ПРЕЖДЕ ЧЕМ ЗВОНИТЬ В СЛУЖБУ ПОСЛЕПРОДАЖНОГО ОБСЛУЖИВАНИЯ.....	10
РЕКОМЕНДАЦИИ ПО ЭНЕРГОСБЕРЕЖЕНИЮ.....	10
КОМПОНЕНТЫ ХОЛОДИЛЬНОГО ШКАФА И ЕГО ОТДЕЛЕНИЙ.....	10
ИНСТРУКЦИИ ПО УСТАНОВКЕ.....	19

## ОБЩИЕ ПРЕДОСТЕРЕЖЕНИЯ

**!** **ВНИМАНИЕ!**  
Вентиляционные отверстия в корпусе устройства или во встроенных конструкциях не должны перекрываться.

**!** **ВНИМАНИЕ!** Для ускорения размораживания не используйте механические устройства или другие средства, которые не рекомендованы производителем.

**!** **ВНИМАНИЕ!** Не используйте внутри камер холодильника электрические приборы, если они не рекомендованы производителем.

**!** **ВНИМАНИЕ!** Не допускайте повреждений в системе циркуляции холодильного агента.

**!** **ВНИМАНИЕ!** Чтобы избежать риска в связи с плохой устойчивостью прибора, его следует установить согласно инструкции.

- Если в качестве хладагента в приборе используется R600a (эта информация приведена на этикетке холодильника), следует быть предельно осторожным во время транспортировки и установки, чтобы не повредить компоненты системы охлаждения. Хотя R600a – это безвредный для окружающей среды природный газ, он также является взрывоопасным веществом. В случае утечки вследствие повреждения компонентов системы охлаждения следует переместить холодильник подальше от открытых источников огня или тепла и проветривать помещение, где он находится, в течение нескольких минут.
- При перемещении и установке холодильника не допускайте повреждения системы циркуляции охлаждающего газа.
- Не храните в этом приборе взрывоопасные вещества (например, аэрозольные баллоны с горючим пропеллентом).
- Данный прибор предназначен для использования в бытовых и аналогичных бытовых условиях, таких как:
  - кухонные зоны для персонала в магазинах, офисах и других рабочих помещениях;
  - фермы, номера для клиентов в отелях, мотелях и других помещениях жилого типа;
  - номера гостиниц типа «ночлег и завтрак»;
  - кейтеринг и подобные сферы применения, не связанные с розничной торговлей.
- Если розетка не подходит под вилку холодильника, ее должен заменить производитель, его агент по сервисному обслуживанию или другой квалифицированный специалист, что позволит избежать аварийной ситуации.
- Это устройство не предназначено для использования лицами (в том числе детьми) с ограниченными физическими, сенсорными или интеллектуальными возможностями либо с недостатком опыта и знаний; они могут пользоваться холодильником только под присмотром лица, ответственного за их безопасность, или согласно его указаниям по эксплуатации. Следите за тем, чтобы дети не играли с этим прибором.
- Шнур питания холодильника снабжен специальной заземленной штепсельной вилкой. Эту вилку всегда следует использовать со специальной заземленной розеткой на 16 ампер. Если в помещении нет такой розетки, ее должен установить компетентный электрик.
- Это устройство могут использовать дети старше 8 лет и лица с ограниченными физическими, сенсорными или интеллектуальными возможностями либо с недостатком опыта и знаний, если за ними осуществляется присмотр или они действуют согласно указаниям по безопасной эксплуатации и понимают возможные опасности. Не позволяйте детям играть с прибором. Дети допускаются до очистки и технического обслуживания только под присмотром взрослых.
- Если поврежден шнур питания, его должен заменить производитель, его агент по сервисному обслуживанию или другой квалифицированный специалист, что позволит избежать аварийной ситуации.

## СТАРЫЕ И НЕИСПРАВНЫЕ ХОЛОДИЛЬНИКИ



- Если ваш старый холодильник оснащен замком, сломайте или демонтируйте его, прежде чем отправлять прибор на утилизацию, поскольку дети могут забраться в камеру и закрыться внутри.
- Старые холодильники и морозильные камеры содержат изоляционный материал и хладагент с хлорфторуглеродами. При их утилизации не допускайте загрязнения окружающей среды.

- Уточните у местных властей способ утилизации электрического и электронного оборудования для повторного использования, переработки и восстановления.

## ПРИМЕЧАНИЯ:

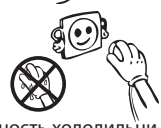
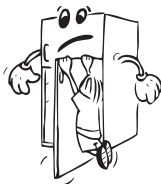
- Внимательно ознакомьтесь с руководством по эксплуатации перед установкой и использованием прибора. Мы не несем ответственности за повреждения, которые возникают вследствие неправильного использования.
- Следуйте инструкции, а также указаниям в руководстве по эксплуатации. Храните это руководство в надежном месте, чтобы использовать для решения проблем, которые могут возникнуть при дальнейшем использовании.
- Прибор произведен для использования в жилых помещениях и может использоваться только в жилых помещениях для заданных целей. Он не подходит для коммерческого или общего пользования. Такое использование приведет к потере гарантии. Наша компания не будет нести ответственности за потенциальные убытки.
- Прибор произведен для использования в жилых помещениях и предназначен исключительно для охлаждения и хранения продуктов. Он не подходит для коммерческого или общего пользования и/или для хранения веществ, не относящихся к пищевым продуктам. Наша компания не будет нести ответственность за убытки, возникшие в противном случае.

## ПРАВИЛА ТЕХНИКИ БЕЗОПАСНОСТИ

- Не используйте множественные штепсельные розетки или удлинители.
- Не подключайте прибор к поврежденным, изношенным или старым розеткам.
- Старайтесь не тянуть и не изгибать шнур, а также избегайте его повреждений.



- Прибор предназначен для использования взрослыми людьми. Не позволяйте детям играть с холодильником или висеть на дверце.
- Не вставляйте и не вытягивайте розетку мокрыми руками, чтобы избежать поражения электрическим током!
- В целях безопасности не помещайте в холодильник взрывоопасные и воспламеняющиеся материалы. Напитки с высоким содержанием алкоголя следует ставить в холодильник вертикально, с плотно закрытой крышкой.
- Не накрывайте кружевом корпус или верхнюю часть холодильника. Это повлияет на работоспособность холодильника.
- При транспортировке закрепляйте все принадлежности внутри холодильника, чтобы избежать их повреждения.

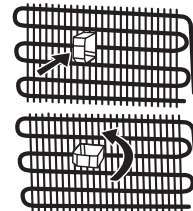


## УСТАНОВКА И ЭКСПЛУАТАЦИЯ ХОЛОДИЛЬНИКА

Перед началом использования холодильника обратите внимание на следующие моменты:

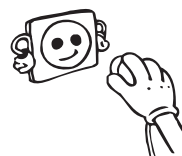
- Рабочее напряжение холодильника составляет 220–240 В при частоте 50 Гц.
- Вилка должна оставаться доступной после установки устройства.
- При первом включении прибора может быть запах. Он исчезнет, когда устройство начнет охлаждение.
- Прежде чем подключать устройство к сети питания, убедитесь в соответствии напряжения на паспортной табличке напряжению вашей домашней электросети.
- Вставьте вилку в розетку с эффективным заземлением. Если розетка не подключена к заземлению или вилка не соответствует розетке, мы предлагаем обратиться к авторизованному электрику.

- Прибор должен быть подключен к правильно установленной розетке с предохранителем. Источник питания (переменного тока) и напряжение в рабочей точке должны совпадать с данными, указанными на табличке прибора (она расположена на внутренней левой стороне холодильника).
- Мы не несем ответственности за повреждения в связи с эксплуатацией без заземления.
- Установите холодильник в месте, где на него не будут попадать прямые солнечные лучи.
- Не используйте холодильник на открытом воздухе и не оставляйте его под дождем.
- Прибор следует устанавливать на расстоянии не менее 50 см от печей, газовых духовых шкафов и радиаторов отопления, а также на расстоянии не менее 5 см от электрических духовок.
- Если холодильник находится рядом с морозильным аппаратом для низкотемпературного замораживания, между ними должен оставаться зазор не менее 2 см, чтобы на внешней поверхности не образовывалась влага.
- Не ставьте на холодильник тяжелые предметы.
- Тщательно очистите холодильник перед использованием, особенно внутри (см. Раздел «Чистка и обслуживание»).
- Порядок установки в кухонный гарнитур приводится в Руководстве по установке. Данный прибор можно использовать только в соответствующих кухонных гарнитурах.
- Регулируемые передние ножки следует зафиксировать на соответствующей высоте, чтобы морозильник мог надлежащим образом работать в устойчивом положении. Можно отрегулировать высоту ножек, поворачивая их по часовой стрелке (или в обратном направлении). Это следует сделать до того, как в морозильнике будут размещены продукты.
- Перед использованием холодильника протрите все детали теплой водой с добавлением чайной ложки бикарбоната натрия, а затем промойте чистой водой и дайте высохнуть. После очистки установите все детали на соответствующие места.
- Установите ограничитель расстояния (деталь с черными лопастями на задней панели), повернув его на 90°, как показано на рисунке, чтобы конденсатор не прикасался к стене.



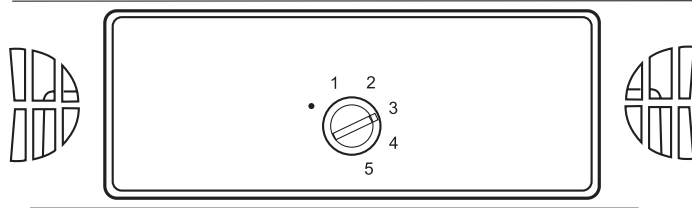
## ПЕРЕД ИСПОЛЬЗОВАНИЕМ ХОЛОДИЛЬНИКА

- Если холодильник используется в первый раз или после транспортировки, он должен постоять в вертикальном положении в течение 3 часов, после чего его можно подключать к электрической сети. В противном случае, может быть поврежден компрессор.
- От холодильника может исходить запах, когда он запускается в первый раз; запах исчезнет, когда холодильник начнет охлаждаться.



## КАК ПОЛЬЗОВАТЬСЯ ИЗДЕЛИЕМ

### НАСТРОЙКА ТЕРМОСТАТА



Термостат автоматически регулирует температуру внутри холодильника. Путем изменения позиции ручки с положения 1 до 5 можно получить более низкие значения температуры.

- Важно!** Не поворачивайте ручку за положение 1. Так вы остановите работу прибора.



# КАК ПОЛЬЗОВАТЬСЯ ИЗДЕЛИЕМ

- Для кратковременного хранения продуктов в холодильнике можно установить ручку в положение между минимальным и средним (1-3).
- Для долгосрочного хранения продуктов в холодильнике можно установить ручку в среднее положение. (3-4)



Отметьте, что на температуру в холодильнике влияет температура окружающей среды, температура свежих продуктов, помещаемых в холодильник и то, как часто открывается дверца. При необходимости измените настройки температуры.

- В идеальном варианте при первом включении прибора нужно, чтобы он в течение 24 часов проработал без продуктов и открытия дверцы. Если необходимо использовать его сразу, старайтесь не загружать холодильник чрезмерно.
- Если устройство выключено или отсоединено от сети, следует подождать как минимум 5 минут перед повторным включением во избежание повреждения компрессора.
- Продуктовые шкафы (холодильные камеры) не имеют морозильного отделения, но могут охлаждать до 4–6 °С.

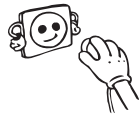
## ХРАНЕНИЕ ПРОДУКТОВ В ХОЛОДИЛЬНОМ ШКАФУ

Холодильник используется для хранения свежих продуктов в течение нескольких дней.

- Размещайте продукты таким образом, чтобы они не соприкасались с задней стенкой холодильника. Оставьте место вокруг продуктов для циркуляции воздуха.
- Не ставьте в холодильник горячую еду или испаряющуюся жидкость.
- Всегда храните продукты в закрытом контейнере или обертке.
- Для снижения влажности и во избежание образования льда никогда не ставьте в холодильник жидкости в открытых емкостях.
- Все виды мяса в упаковке рекомендуется хранить на стеклянной полке над контейнером для овощей, где воздух холоднее.
- Фрукты и овощи можно поместить в соответствующий контейнер без упаковки.
- Чтобы не выпускать холодный воздух, старайтесь не открывать дверцу слишком часто и не оставляйте ее открытой на длительное время.

## ЧИСТКА И ОБСЛУЖИВАНИЕ

- Перед чисткой отсоедините прибор от электрической сети.



- Не мойте холодильник в проточной воде.



- Холодильник нужно очищать периодически с применением раствора пищевой соды и теплой воды.



- Внутреннюю и внешнюю поверхности можно протереть мягкой тканью или губкой, смоченной в теплой мыльной воде.

- Принадлежности промывайте отдельно водой с мылом. Не мойте их в посудомоечной машине.

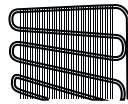


- Не используйте абразивные вещества, растворители или мыло.

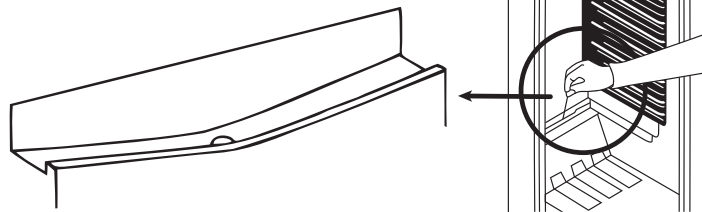
- После мытья ополосните принадлежности чистой водой и тщательно высушите. По окончании чистки снова подключите холодильник к сети питания сухими руками.



- Следует очищать конденсатор веником не реже раза в год для обеспечения экономии электроэнергии и повышения производительности.



## РАЗМОРАЖИВАНИЕ ХОЛОДИЛЬНИКА



- Размораживание происходит автоматически в холодильнике в процессе работы; талая вода собирается в испаряющей емкости и испаряется автоматически.
- Дренажное отверстие для талой воды должны периодически очищаться шнуром размораживающего отверстия во избежание скопления воды на дне холодильника и ее вытекания.
- Вы также можете вылить ½ стакана воды в дренажное отверстие для внутренней очистки.

## ЗАМЕНА ЛАМПОЧКИ

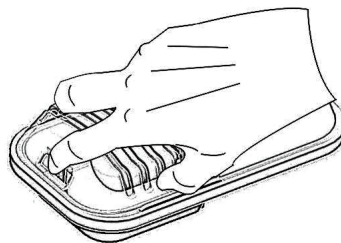


Рисунок 1

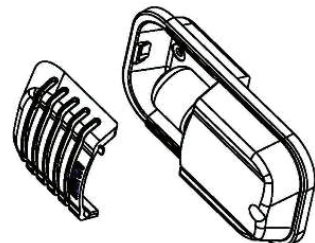


Рисунок 2

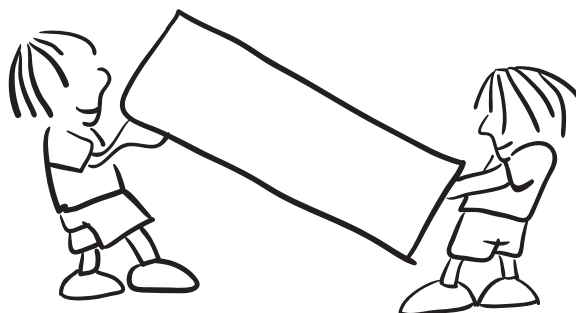
### • ПРИ ЗАМЕНЕ ЛАМПОЧКИ ХОЛОДИЛЬНОЙ КАМЕРЫ

1. Отсоедините холодильник от сети питания.
2. Нажмите на крючок на передней части крышки лампы, как показано на Рисунке 1, и снимите крышку лампы.
3. Замените лампочку новой лампочкой мощностью не более 15 Вт.
4. Установите крышку плафона и через 5 минут включите холодильник в сеть.

## ТРАНСПОРТИРОВКА И ПЕРЕСТАНОВКА

Транспортировка и перестановка холодильника

- Оригинальную упаковку и пенопласт можно использовать для повторной транспортировки (по желанию).
- Зафиксируйте холодильник с помощью прочной упаковки, ремней или крепких веревок. Следуйте инструкциям по транспортировке на упаковке.
- На время перестановки или транспортировки снимите подвижные детали (полки, принадлежности, контейнеры для овощей и т. д.) или зафиксируйте их в холодильнике ремнями, чтобы избежать ударов.



# ПРЕЖДЕ ЧЕМ ЗВОНИТЬ В СЛУЖБУ ПОСЛЕПРОДАЖНОГО ОБСЛУЖИВАНИЯ

Если холодильник работает со сбоями, неисправность может быть незначительной, поэтому проверьте следующее.

## Холодильник не работает,

### Проверьте следующее;

- Произошел сбой в подаче электроэнергии,
- Сетевой штепсель вставлен неправильно или неплотно
- Термостат установлен в положение « »;
- Розетка имеет дефект. чтобы это проверить, включите в эту розетку другой заведомо исправный электроприбор.

## Холодильник работает ненадлежащим образом;

### Проверьте следующее;

- Устройство не перегружено,
- Дверь закрыта неплотно,
- На кухне недостаточно вентиляционных каналов, как указано в Руководстве по установке.

## В случае наличия шума;

Охлаждающий газ, который циркулирует в холодильном контуре, может издавать незначительный шум (булькающий звук) даже при неработающем компрессоре. Не беспокойтесь, это вполне нормально. Если звуки носят другой характер, проверьте следующее;

- Прибор установлен устойчиво в соответствии с руководством по установке.
- Вибрируют предметы, стоящие на холодильнике.

## Если в нижней части холодильника скапливается вода;

### Проверьте следующее;

Дренажное отверстие для талой воды засорилось (используйте дренажный шнур размораживания для чистки дренажного отверстия)

## Если холодильник недостаточно охлаждает;

Холодильник предназначен для эксплуатации в диапазоне температур окружающей среды, указанном в стандартах, согласно климатическому классу на этикетке. Мы не рекомендуем использовать холодильник за пределами указанного диапазона в целях эффективности охлаждения.

Климатический класс	Температура окружающей среды °C
T	Между 16 и 43 (°C)
ST	Между 16 и 38 (°C)
N	Между 16 и 32 (°C)
SN	Между 10 и 32 (°C)

## • РЕКОМЕНДАЦИИ

- При отключении электроэнергии следует отсоединять холодильник от сети питания во избежание проблем с компрессором. После возобновления подачи питания подождите 5-10 минут, а потом включите холодильник в розетку.
- Если по какой-либо причине вы отключили холодильник от сети, включите его не менее чем через 5 минут. Это нужно для предотвращения повреждения компонентов холодильника.
- Блок охлаждения скрыт в задней стенке холодильника. Поэтому на задней стенке холодильника могут образовываться капли воды или иней из-за работы компрессора с определенными интервалами. Это нормально. Нет никакой потребности в размораживании, если только накопление инея не чрезмерно.
- Если вы не будете использовать холодильник в течение длительного времени (например, на период летнего отдыха), установите термостат в положение «». После размораживания помойте холодильник и оставьте дверцу открытой, чтобы предотвратить появления влажности и неприятного запаха.
- Если после того, как вы выполнили все приведенные выше инструкции, проблема не исчезнет, обратитесь в ближайшую авторизованную сервисную службу.
- Приобретенный вами прибор предназначен для использования в помещениях жилого типа и может использоваться только в домашних условиях и для заявленных целей. Он не подходит для коммерческого или общего пользования. Если потребитель использует прибор не-

соответствующим образом, мы подчеркиваем, что производитель и дилер не несут ответственности за любой ремонт и неисправности в период действия гарантии.

- Срок службы прибора, указанный и заявленный Департаментом промышленности, (срок эксплуатации ответственных деталей, необходимых для нормальной работы прибора) составляет 10 лет..

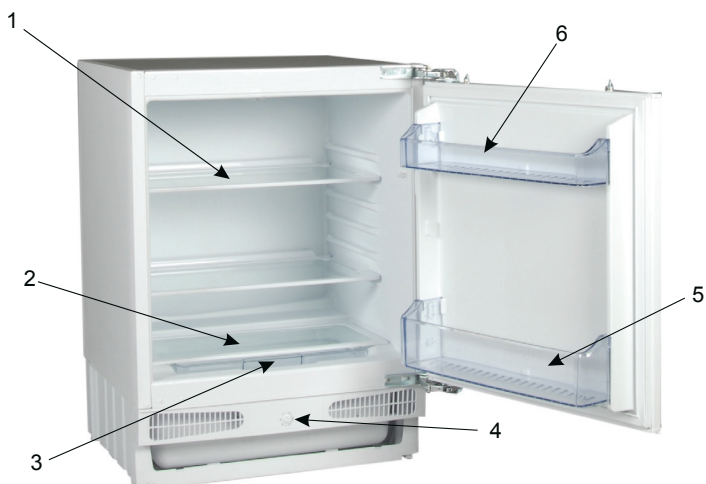
## • ИНФОРМАЦИЯ О СООТВЕТСТВИИ

- Данное изделие предназначено для использования при температуре окружающей среды от 10°C до 32°C.
- Изделие разработано в соответствии со стандартами IEC60335-1/IEC60335-2-24, 2004/108/EC.

## РЕКОМЕНДАЦИИ ПО ЭНЕРГОСБЕРЕЖЕНИЮ

1. Устанавливайте прибор в прохладном, хорошо проветриваемом помещении, в месте, не подвергающемся воздействию прямых солнечных лучей, вдали от источников тепла (радиатора, печи и т. п.). В противном случае воспользуйтесь теплоизоляционной плитой.
2. Горячие блюда и напитки следует остужать за пределами холодильника.
3. Помещенные в холодильник напитки и жидкие продукты должны быть закрыты. В противном случае увеличится влажность в холодильнике. В результате время охлаждения увеличится. Кроме того, закрывая напитки и жидкие продукты, вы сохраняете их вкус и запах.
4. Помещая напитки и продукты питания, открывайте дверь на максимально короткое время.
5. Крышки отделений холодильника, имеющих различную температуру (контейнера для фруктов и овощей, охладителя и т.д.), должны быть закрыты.
6. Уплотнение дверцы должно быть чистым и гибким. Если уплотнение износилось, замените его.

## КОМПОНЕНТЫ ХОЛОДИЛЬНОГО ШКАФА И ЕГО ОТДЕЛЕНИЙ



Эта презентация призвана информировать вас о деталях и узлах вашего холодильника.

Детали и узлы могут различаться в зависимости от модели прибора.

- 1) Полки холодильника
- 2) Крышка контейнера для фруктов и овощей
- 3) Контейнер для фруктов и овощей
- 4) Ручка термостата
- 5) Дверные полки
- 6) Подставка для яиц

ПЕРЕД ВИКОРИСТАННЯМ ХОЛОДИЛЬНИКА.....	11
ЗАГАЛЬНІ ПОПЕРЕДЖЕННЯ.....	11
СТАРІ ТА НЕСПРАВНІ ХОЛОДИЛЬНИКИ.....	11
ПОПЕРЕДЖЕННЯ ЩОДО БЕЗПЕЧНОГО ВИКОРИСТАННЯ..	12
УСТАНОВКА ТА ЕКСПЛУАТАЦІЯ ХОЛОДИЛЬНИКА.....	12
ПЕРЕД ВИКОРИСТАННЯМ ХОЛОДИЛЬНИКА.....	12
ПРАВИЛА ЕКСПЛУАТАЦІЇ ХОЛОДИЛЬНИКА.....	12
РЕГУЛЮВАННЯ ТЕРМОСТАТУ.....	12
ЗБЕРІГАННЯ ПРОДУКТІВ У ХОЛОДИЛЬНИКУ.....	13
ЧИЩЕННЯ ТА ОБСЛУГОВУВАННЯ.....	13
РОЗМОРОЖУВАННЯ МОРОЗИЛЬНИКА.....	13
ЗАМІНА ЛАМПОЧКИ ОСВІТЛЕННЯ.....	13
ТРАНСПОРТУВАННЯ ТА ПОВТОРНА УСТАНОВКА.....	13
ПЕРШ НІЖ ЗВЕРТАТИСЯ ДО СЕРВІСНОЇ СЛУЖБИ.....	14
ПОРАДИ ЩОДО ЕНЕРГОЗБЕРЕЖЕННЯ.....	14
КОМПОНЕНТИ ХОЛОДИЛЬНИКА ТА ЙОГО ВІДДІЛЕНЬ.....	14
ІНСТРУКЦІЯ ЗІ ВСТАНОВЛЕННЯ.....	19

Інструкція з експлуатації може застосовуватися до декількох моделей. Тому можуть виникнути відмінності.

## ЗАГАЛЬНІ ПОПЕРЕДЖЕННЯ

**! УВАГА!**  
Утримуйте вентиляційні отвори, розташовані в корпусі приладу або вбудовані у структуру, вільними від перешкод.

**! УВАГА!**  
Не використовуйте механічні пристрої або інші засоби для прискорення процесу розморожування, крім засобів, які рекомендовані виробником.

**! УВАГА!** Не використовуйте електричні прилади у відділеннях приладу, якщо вони не відносяться до типу, який рекомендовано виробником.

**! УВАГА!**  
Будьте обережні, щоб не пошкодити холодильний контур.

**! УВАГА!**  
Щоб уникнути небезпеки порушення стійкості приладу, він повинен бути встановлений відповідно до інструкцій.

- Якщо ваш прилад використовує R600a в якості холодоагенту (ви можете дізнатися цю інформацію, ознайомившись з написом на табличці, яка розташована в холодильному відділенні), треба бути обережним під час транспортування та установки щоб запобігти пошкодженню елементів вашого холодильника. Незважаючи на те, що R600a є нешкідливим для навколишнього середовища та природним газом, – це вибухова речовина. У разі її витoku через пошкодження елементів холодильного відділення треба перемістити холодильник подалі від відкритого вогню або джерел тепла й провітрити приміщення, де знаходиться прилад, протягом декількох хвилин.
- Під час транспортування й установці холодильника необхідно подбати, щоб жоден з компонентів системи газового охолодження не був пошкоджений.
- Не зберігайте в даному пристрої вибухонебезпечні речовини, такі як аерозольні балончики з легкозаймистою речовиною.
- Цей прилад призначений для використання в домашньому господарстві та для схожого застосування, наприклад:
  - на кухнях для персоналу в магазинах, офісах і при інших робочих умовах
  - у житлових будинках на фермі і використання клієнтами в готелях, мотелях та в житлових приміщеннях іншого типу
  - у закладах типу «постіль і сніданок»
  - у місцях громадського харчування та для аналогічних застосувань, не пов'язаних з продажем
- Якщо розетка не буде підходити до штепселя холодильника, останній необхідно буде замінити, звернувшись до виробника, сервісного центру або особи з аналогічною кваліфікацією для уникнення небезпеки.
- Цей прилад не призначений для користування особами (включаючи дітей) зі зниженими фізичними, сенсорними або розумовими можливостями, або із браком досвіду і знань, якщо вони не перебувають під наглядом, або відповідальна за їхню безпеку особа не провела з ними інструктаж із користування приладом. Необхідно наглядати за дітьми, щоби вони не гралися з приладом.
- До шнура живлення холодильника приєднана штепсельна вилка зі спеціальним заземленням. Даний штепсель повинен використовуватися із спеціально заземленою розеткою на 16 ампер. Якщо у вас вдома така розетка відсутня, зверніться до кваліфікованого електрика для її встановлення.
- Холодильник може використовуватися дітьми старше 8 років та особами з обмеженими фізичними, сенсорними або розумовими можливостями, або із браком досвіду та знань, якщо вони перебувають під наглядом або відповідальна за їхню безпеку особа провела з ними інструктаж із користування приладом і вони розуміють існуючу небезпеку. Не дозволяйте дітям гратися з приладом. Очищення й обслуговування приладу не повинні здійснюватися дітьми без нагляду дорослих.
- Якщо шнур живлення пошкоджено, він має бути замінений виробником, сервісним центром або аналогічними кваліфікованими особами для уникнення небезпеки.

## СТАРІ ТА НЕСПРАВНІ ХОЛОДИЛЬНИКИ



- Якщо у вашому старому холодильнику є замок, зламайте або зніміть його перед його утилізацією для того, щоб запобігти замиканню дітей всередині холодильника, що може привести до нещасного випадку.

# ПЕРЕД ВИКОРИСТАННЯМ ХОЛОДИЛЬНИКА

- Старі моделі холодильників і морозильних камер містять ізолюючі матеріали, а також холодоагенти, які містять хлорфторвуглеці. Тому намагайтеся не заподіяти шкоду навколишньому середовищу, коли ви викидаєте старі холодильники. Будь ласка, зверніться до муніципальної влади стосовно виконання Директиви ЄС про відходи електричного та електронного устаткування, з метою повторного використання, переробки та відновлення.

## ▶ ПРИМІТКИ:

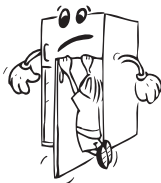
- Будь ласка, уважно прочитайте даний посібник з експлуатації перед встановленням та використанням холодильника. Ми не несемо відповідальності за шкоду, яка була завдана внаслідок неправильного використання приладу.
- Дотримуйтеся усіх інструкцій стосовно вашого приладу та інструкцій, які містяться в посібнику з експлуатації. Зберігайте цей посібник у безпечному місці, щоб вирішувати проблеми, які можуть виникнути в майбутньому.
- Цей прилад призначений для використання у житлових будинках, його можна використовувати тільки в домашніх умовах та для зазначених цілей. Він не підходить для комерційного або загального користування. Таке використання може призвести до скасування гарантії до приладу, і наша компанія не буде нести відповідальність за можливі збитки.
- Даний прилад призначений для використання у приміщенні та підходить тільки для охолодження/зберігання продуктів. Він не підходить для комерційного або загального користування та/або для зберігання будь-яких речовин, крім продуктів харчування. В іншому випадку наша компанія не несе відповідальності за можливі збитки.

## ПОПЕРЕДЖЕННЯ ЩОДО БЕЗПЕЧНОГО ВИКОРИСТАННЯ

- Не використовуйте трійники або подовжувачі.
- Не підключайте пошкоджені, розірвані або старі шнури.
- Не тягніть, не перекручуйте та не згинайте шнур. Прибор призначений для використання дорослими людьми.



- Цей прилад зроблений для використання дорослими. Ні в якому разі не дозволяйте дітям гратися із приладом або виснути на дверцятках.
- Для запобігання ураження електричним струмом не вставляйте штепсель до розетки та не виймайте його мокрими руками!
- Для вашої безпеки не розміщуйте вибухові або займисті матеріали у холодильнику. пляшки з великим вмістом алкоголю повинні бути добре закриті і поміщені в холодильник у вертикальному положенні.
- Не накривайте тканиною корпус або верхню частину холодильника. Це впливає на ефективність роботи холодильника.
- Закріпіть аксесуари в холодильнику при його транспортуванні, щоб запобігти їх пошкодженню.



## УСТАНОВКА ТА ЕКСПЛУАТАЦІЯ ХОЛОДИЛЬНИКА

Перед використанням холодильника слід звернути увагу на викладену нижче інформацію:

- Робоча напруга холодильника становить 220-240 В, 50 Гц.
- Після установки повинен залишитися доступ до розетки.
- Під час першого вмикання приладу може з'явитися деякий запах. Він зникне, коли прилад почне охолодження.
- Перед підключенням до електромережі перевірте відповідність напруги, вказаної на паспортній табличці, напрузі електромережі вашого помешкання.
- Вставляйте штепсель до розетки, яка має ефективне заземлення. Якщо розетка не має контакту заземлення або не підходить для штепселя, радимо звернутися по допомогу до кваліфікованого електрика.

- Пристрій повинен бути підключений до правильно встановленої розетки із запобіжником. Джерело живлення (змінного струму) і напруга у робочій точці повинні співпадати з даними, вказаними на табличці приладу (вона розташована на внутрішній лівій стороні приладу).

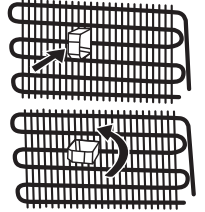


- Наша компанія не несе відповідальності за шкоду, яку може бути заподіяно внаслідок встановлення холодильника без заземлення.

- Помістіть холодильник у відповідному місці, де на нього не будуть падати прямі сонячні промені.

- Холодильник ніколи не повинен використовуватися на відкритому повітрі і не повинен залишатися під дощем.

- Холодильник повинен знаходитися на відстані мінімум 50 см від джерел тепла, таких, як газові печі, плити та радіатори й на відстані мінімум 5 см від електричних печей.



- Якщо холодильник розташовується поруч із камерою глибокого заморозування, між ними необхідно залишити відстань мінімум 2 см для запобігання конденсації вологи на зовнішній поверхні.

- Не ставте на прилад зверху важкі речі.

- Ретельно очистіть холодильник перед використанням, особливо всередині (див. розділ «Чистження і обслуговування»).

- Процедура встановлення у комплект кухонних меблів наводиться в Інструкції зі встановлення. Даний виріб призначений лише для використання у вбудованому у кухонні меблі вигляді.

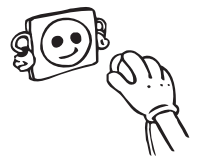
- Для забезпечення стабільної роботи морозильнику й відсутності вібрації необхідно встановити передні регульовані опори на потрібну висоту і взаємно врівноважити їх. Це можна зробити, повертаючи регульовані опори за годинниковою стрілкою (або проти годинниковою стрілки). Рекомендуємо зробити це перед розміщенням продуктів у морозильнику.

- Перед початком використання холодильника промийте всі його частини теплою водою з додаванням чайної ложки соди, потім сполосніть чистою водою та витріть насухо. Встановіть всі частини на місце.

- Встановіть на місце пластикову регулюючу направляючу повернувши її на 90°, щоб запобігти контакту стіни та конденсатору (чорна деталь з лопатками ззаду).

## ПЕРЕД ВИКОРИСТАННЯМ ХОЛОДИЛЬНИКА

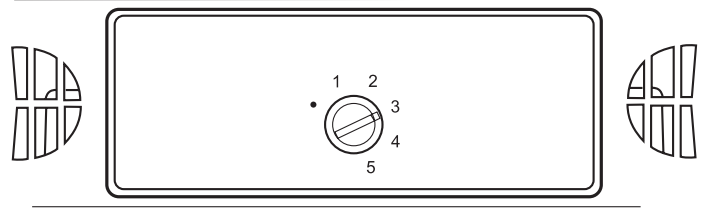
- Під час першого підключення або після перестановки дайте холодильнику постояти без підключення протягом 3 годин у вертикальному положенні, потім вставте штепсель у розетку для забезпечення його ефективного функціонування. В іншому випадку ви можете пошкодити компресор.



- При першому підключенні холодильника може відчуватися запах. Цей запах пропаде після того, як холодильник почне охолодження.

# ПРАВИЛА ЕКСПЛУАТАЦІЇ ХОЛОДИЛЬНИКА

## РЕГУЛЮВАННЯ ТЕРМОСТАТУ



Термостат автоматично регулює температуру всередині холодильної камери. Шляхом зміни позиції ручки з положення «1» до «5» можна отримати нижчу температуру.

- УВАГА!** Не намагайтеся повернути ручку за позицію 1. Це приведе до зупинки вашого приладу.



# КАК ПОЛЬЗОВАТЬСЯ ИЗДЕЛИЕМ

- Для короткочасного зберігання продуктів в холодильнику можна встановити регулятор температури між мінімальним і середнім положеннями (1-3).
- Для довгострокового зберігання продуктів в холодильнику можна встановити регулятор в середнє положення. (3-4)

➔ Навколишня температура, температура свіжоморожених продуктів і частота відкриття дверцят впливають на температуру в холодильнику. У разі необхідності змініть налаштування температури.

- Під час першого увімкнення приладу в ідеалі потрібно, щоб він протягом 24 годин працював без завантаження продуктами й відкриття дверцят. Якщо потрібно його негайне використання, намагайтесь не розміщувати забагато продуктів.
- Якщо прилад був вимкнений або відключений від електромережі, слід зачекати не менше 5 хвилин перед повторним вмиканням, щоб не пошкодити компресор.
- Камери (холодильні відділення) не містять морозильних відділень, але можуть охолоджуватися до температури нижче 4–6 °С.

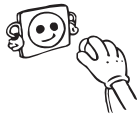
## ЗБЕРІГАННЯ ПРОДУКТІВ У ХОЛОДИЛЬНИКУ

Холодильник використовується для зберігання свіжих продуктів харчування протягом кількох днів.

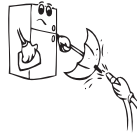
- Розміщуйте продукти так, щоб вони не торкались задньої стінки холодильника. Залишайте місце навколо продуктів для вільної циркуляції повітря.
- Не ставте у холодильник гарячу їжу або рідину, що випаровується.
- Завжди зберігайте продукти у закритому контейнері або обгорненими.
- Для зниження вологості й уникнення інею ніколи не ставте до холодильника рідкі продукти в негерметичних контейнерах.
- Будь-який вид м'яса в упаковці рекомендується розміщувати на скляній полиці над кошиком для овочів, де холодніше повітря.
- Фрукти й овочі можна покласти до відповідного відділення без упаковки.
- Щоб уникнути втрати холодного повітря, намагайтесь нечасто відкривати дверцята й не залишайте їх відкритими протягом тривалого часу.

## ЧИЩЕННЯ ТА ОБСЛУГОВУВАННЯ

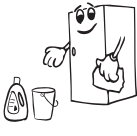
- Перед чисткою від'єднайте прилад від електромережі.



- Не мийте холодильник під проточною водою.



- Морозильник слід періодично промивати розчином харчової соди й теплою водою.



- Внутрішні та зовнішні поверхні можна протерти м'якою тканиною або губкою з теплою мильною водою.

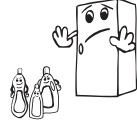


- Аксесуари мийте окремо водою з милом. Не мийте їх у посудомийній машині.

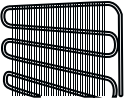


- Не користуйтесь абразивними речовинами, миючими засобами або милом.

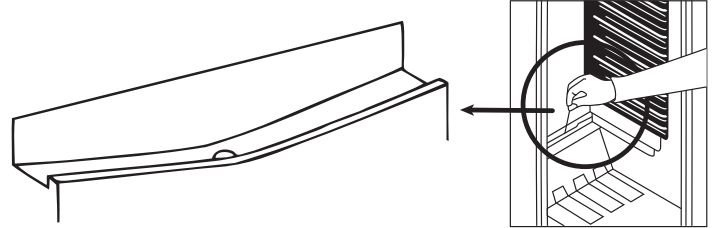
- Після промивання сполосніть чистою водою і ретельно просушіть. Після закінчення чистки вставте штепсель до розетки електромережі сухими руками.



- Треба очищати конденсатор за допомогою щітки принаймні раз на рік для забезпечення економії енергії та з метою підвищення продуктивності.

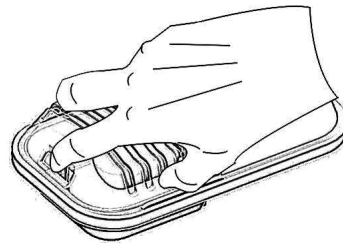


## РОЗМОРОЖУВАННЯ МОРОЗИЛЬНИКА

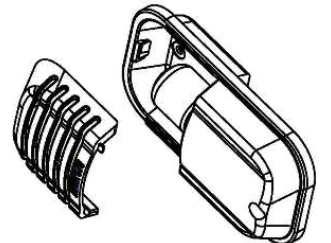


- Розморжування у морозильній камері здійснюється автоматично під час роботи; тала вода збирається до спеціального лотка й автоматично випаровується.
- Дренажний отвір для розмороженої води повинен періодично очищуватися шнуром для розморозуючого отвору, щоб уникнути накопичування води на дні холодильника та її витікання.
- Ви також можете вилити 1/2 склянки води в дренажний отвір для внутрішнього очищення.

## ЗАМІНА ЛАМПОЧКИ ОСВІТЛЕННЯ



Малюнок 1



Малюнок 2

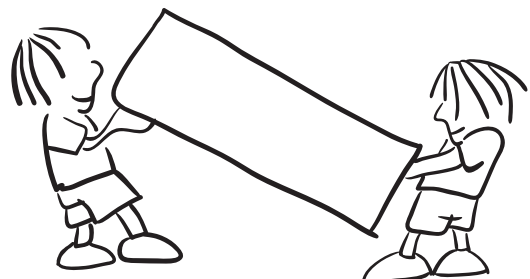
### У РАЗІ ЗАМІНИ ЛАМПОЧКИ ХОЛОДИЛЬНИКА

1. Від'єднайте прилад від електромережі.
2. Натисніть на гачок на передній частині кришки лампочки, як показано на мал. 1, і зніміть кришку.
3. Замініть лампочку на нову, потужністю не більше 15 Вт.
4. Поверніть на місце кришку й через 5 хвилин підключіть прилад до електромережі.

## ТРАНСПОРТУВАННЯ ТА ПОВТОРНА УСТАНОВКА

Транспортування й зміна положення пристрою

- Оригінальна упаковка та пінополістирол можуть зберігатися для повторного транспортування (опціонально).
- При транспортуванні прилад слід закрити товстим пакетом та зв'язати широкою стрічкою або міцною мотузкою. При транспортуванні слід дотримуватися правил транспортування, зазначених на упаковці.
- Перед транспортуванням або перед зміною місця розташування приладу всі рухомі частини (наприклад, полиці, аксесуари, скрині для овочів і т.п.) потрібно зняти або зафіксувати стрічками, щоб уникнути трясіння.



# ПЕРШ НІЖ ЗВЕРТАТИСЯ ДО СЕРВІСНОЇ СЛУЖБИ

Якщо ваш холодильник не працює належним чином, це може статися через незначну проблему, отже перевірте наступне.

## Прилад не працює.

### Перевірте, чи не сталося наступне:

- Відбувається збій електропостачання,
- Мережевий штепсель неправильно вставлений або незакріплений
- Термостат встановлено у положення « $\llcorner$ »,
- Розетка пошкоджена. Щоб перевірити це, вставте в цю розетку інший справний електроприлад.

## Прилад працює неналежним чином;

### Перевірте, чи не сталося наступне:

- Ви перевантажили прилад,
- Дверцята погано зачинені,
- На кухні недостатньо вентиляційних каналів, як вказано в Інструкції зі встановлення.

## Якщо чути шум

Охолоджуючий газ, що циркулює в контурі охолодження, може створювати легкий шум (звук булькотіння), навіть якщо компресор не працює. Не хвилюйтеся, це цілком нормально. Якщо ці звуки мають інший характер, перевірте наступне:

- Прилад встановлено правильно згідно з Інструкціями зі встановлення.
- Вібрають предмети, що стоять на холодильнику.

## Якщо у нижній частині холодильника накопичується вода;

### Перевірте, чи не сталося наступне:

Дренажний отвір для талої води засмічено (використовуйте дренажний шнур розморожування для очищення дренажного отвору).

## Якщо холодильник недостатньо охолоджує;

Ваш холодильник призначений для функціонування при інтервалах температур навколишнього середовища, позначених в технічних умовах, відповідно до класу кліматичних умов. Ця інформація зазначена на інформаційній етикетці. Ми не рекомендуємо використовувати холодильник в температурному режимі, величини якого виходять за рамки зазначених у специфікації.

Клас кліматичних умов	Навколишня температура °C
T	Між 16 та 43 (°C)
ST	Між 16 та 38 (°C)
N	Між 16 та 32 (°C)
SN	Між 10 та 32 (°C)

## • РЕКОМЕНДАЦІЇ

- У разі припинення енергопостачання, варто від'єднати холодильник від електромережі, щоб запобігти будь-яким пошкодженням компресора. Підключення холодильника до електромережі варто виконувати через 5–10 хвилин після відновлення енергопостачання.
- В разі необхідності відключення холодильника від мережі енергопостачання, необхідно зачекати щонайменше 5 хвилин, перш ніж знов включити його. Дотримуватися цієї рекомендації важливо, щоб запобігти пошкодження компонентів холодильника.
- Холодильний агрегат вашого холодильника знаходиться в задній стінці. Таким чином, краплі води або лід можуть утворитися на задній стінці холодильного відділення через роботу компресора із заданими інтервалами. Це нормально. Немає необхідності розморожувати холодильник, якщо утворення льоду не є надмірним.
- Якщо ви не плануєте використовувати холодильник протягом тривалого часу (наприклад, в період літнього відпочинку), переведіть термостат у положення « $\llcorner$ ». Після розморожування, треба очистити холодильник і залишити двері відкритими, щоб запобігти появі вологи та запаху.
- Якщо проблема не усувається після того, як ви виконали всі наведені вище інструкції, зверніться до найближчого спеціалізованого сервісного центру.
- Ваш прилад призначений для побутового використання й може використовуватися лише вдома та для вказаних цілей. Він не підходить для комерційного або загального користування. Якщо споживач використовує прилад із порушенням цих вимог, ми підкреслюємо, що виробник і дилер не будуть нести відповідальність за ремонт і збої протягом гарантійного періоду.

- Вказаний та оголошений Департаментом промисловості термін служби вашого приладу становить 10 років (період служби деталей, які необхідні для нормального функціонування приладу).

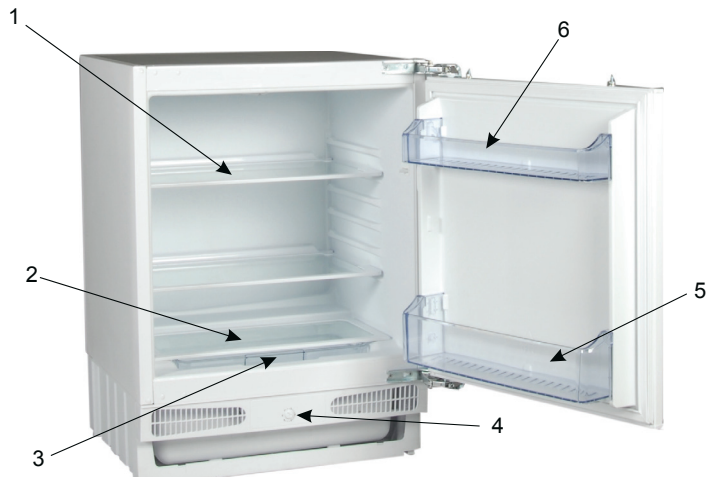
## • ІНФОРМАЦІЯ ПРО ВІДПОВІДНІСТЬ СТАНДАРТАМ

- Цей прилад розроблено для застосування за умов температури навколишнього повітря між 10 °C і 32 °C.
- Прилад розроблений у відповідності зі стандартами IEC60335-1/IEC60335-2-24, 2004/108/EC.

## ПОРАДИ ЩОДО ЕНЕРГОЗБЕРЕЖЕННЯ

1. Встановіть прилад у прохолодному приміщенні (із необхідною вентиляцією), куди не потрапляють прямі сонячні промені, та поодаль від джерел тепла (батареї опалення, печей... тощо). В іншому випадку необхідно використовувати ізоляційну панель.
2. Дайте приготованим стравам та напоєм охолонути за межами холодильника.
3. У разі розміщення в холодильнику напоїв та рідких страв їх необхідно накривати. В іншому випадку збільшиться вологість усередині холодильника. Дотримання даної поради веде до збільшення терміну його експлуатації. Також, накривання напоїв та рідких страв допоможе зберегти їх запах та смак.
4. Під час розміщення продуктів і напоїв намагайтеся якомога швидше закрити дверцята холодильника.
5. Тримайте закритими кришки будь-яких камер холодильника, що відрізняються за температурою (контейнер для овочів і фруктів, охолоджувач тощо).
6. Прокладка дверей повинна залишатися чистою та м'якою. У разі зносу замініть прокладку на дверях.

## КОМПОНЕНТИ ХОЛОДИЛЬНИКА ТА ЙОГО ВІДДІЛЕНЬ



Мета цієї презентації – проінформувати вас про деталі холодильника.

Деталі можуть відрізнятися залежно від моделі приладу.

- 1) Поліці холодильника
- 2) Кришка контейнера для овочів і фруктів
- 3) Контейнер для фруктів та овочів
- 4) Ручка термостата холодильного відділення
- 5) Поліці на дверцятах
- 6) Лоток для яєць



# INDEX

PRZED ROZPOCZĘCIEM KORZYSTANIA Z URZĄDZENIA..	15
OSTRZEŻENIA OGÓLNE.....	15
UTYLIZACJA STARYCH I ZEPSUTYCH URZĄDZEŃ.....	15
OSTRZEŻENIA DOTYCZĄCE BEZPIECZEŃSTWA.....	16
MONTAŻ I OBSŁUGA CHŁODZIARKI.....	16
PRZED ROZPOCZĘCIEM KORZYSTANIA Z CHŁODZIARKI....	16
OBSŁUGA CHŁODZIARKI.....	16
USTAWIANIE TERMOSTATU.....	16
PRZECHOWYWANIE ŻYWNOŚCI W URZĄDZENIU.....	16
CZYSZCZENIE I KONSERWACJA.....	17
ROZMRAŻANIE CHŁODZIARKI.....	17
WYMIANA ŻARÓWKI.....	17
DOSTAWA I ZMIANA MIEJSCA MONTAŻU.....	17
ZANIM SKONTAKTUJESZ SIĘ Z PUNKTEM SERWISOWYM.....	18
WSKAZÓWKI DOTYCZĄCE OSZCZĘDZANIA ENERGII.....	18
CZĘŚCI I KOMORY URZĄDZENIA.....	18
INSTRUKCJA MONTAŻU.....	19

# PRZED ROZPOCZĘCIEM KORZYSTANIA Z URZĄDZENIA

## OSTRZEŻENIA OGÓLNE

**!** **OSTRZEŻENIE!** Nie należy zasłaniać otworów wentylacyjnych w obudowie urządzenia lub w zabudowie.

**!** **OSTRZEŻENIE!** Nie należy stosować żadnych narzędzi mechanicznych ani środków w celu przyspieszenia procesu rozmrażania innych niż zalecane przez producenta.

**!** **OSTRZEŻENIE!** Nie należy używać urządzeń elektrycznych wewnątrz komór do przechowywania żywności poza zalecanymi przez producenta.

**!** **OSTRZEŻENIE!** Należy uważać, aby nie uszkodzić układu czynnika chłodniczego.

**!** **OSTRZEŻENIE!** Aby uniknąć niebezpieczeństwa powstałego na skutek niestabilności urządzenia, należy je naprawiać zgodnie z instrukcją.

- Jeżeli w urządzeniu jest zastosowany środek R600a jako czynnik chłodniczy, na etykiecie chłodnicy znajduje się odpowiednia informacja — należy zachować ostrożność podczas transportu i montażu, aby zapobiec zniszczeniu części chłodnicy. Środek R600a jest przyjaznym środowisku, naturalnym gazem, jednak jest on wybuchowy. W przypadku wycieku gazu spowodowanego uszkodzeniem elementów chłodnicy należy odsunąć chłodziarkę od źródeł ognia lub ciepła i przez kilka minut wywietrzyć pomieszczenie, w którym znajduje się urządzenie.
- Podczas przenoszenia i ustawiania chłodziarki należy uważać, aby nie uszkodzić układu gazowego chłodnicy.
- W urządzeniu nie należy przechowywać materiałów, takich jak aerozole z substancjami łatwopalnymi.
- Urządzenie przeznaczone jest do użytku domowego oraz w miejscach takich jak:
  - pomieszczenia kuchenne dla pracowników w sklepach, biurach i innych miejscach pracy;
  - gospodarstwa agroturystyczne oraz hotele, motele i inne obiekty noclegowe (do użytku dla klientów);
  - obiekty oferujące nocleg ze śniadaniem;
  - obiekty gastronomiczne i niezajmujące się handlem detalicznym.
- Jeśli gniazdo elektryczne nie pasuje do wtyczki chłodziarki, musi ona zostać wymieniona przez wykwalifikowaną osobę w celu uniknięcia niebezpieczeństwa.
- Urządzenie nie jest przeznaczone do użytku przez osoby (w tym dzieci) o ograniczonych zdolnościach ruchowych, postrzegania lub umysłowych, a także osoby nie posiadające odpowiedniego doświadczenia i wiedzy, chyba że osoba odpowiedzialna za ich bezpieczeństwo udzieliła odpowiedniego instruktażu z zakresu obsługi urządzenia. Należy uważać, aby dzieci nie bawiły się urządzeniem.
- Specjalna wtyczka z uziemieniem została połączona z przewodem zasilającym chłodziarki. Wtyczka ta powinna być używana z gniazdem elektrycznym z uziemieniem 16 A. Jeśli w domu nie ma takiego gniazda, należy zlecić jego montaż autoryzowanemu elektrykowi.
- Urządzenie może być używane przez dzieci od 8 lat wżwyż oraz osoby o ograniczonych zdolnościach ruchowych, postrzegania lub umysłowych, a także osoby nie posiadające odpowiedniego doświadczenia i wiedzy, pod nadzorem innych osób oraz po instruktażu dotyczącym bezpiecznego użytkowania, pod warunkiem, że rozumieją niebezpieczeństwa wynikające z nieprawidłowego użytkowania. Dzieci nie powinny bawić się urządzeniem. Czyszczenie i konserwacja użytkownika nie powinny być przeprowadzane przez dzieci bez nadzoru.
- Jeśli przewód zasilający jest uszkodzony, powinien zostać wymieniony przez wykwalifikowaną osobę, w celu uniknięcia niebezpieczeństwa.

## UTYLIZACJA STARYCH I ZEPSUTYCH URZĄDZEŃ



- Jeśli stara chłodziarka posiada zamek, należy go złamać lub usunąć przed pozbyciem się chłodziarki, ponieważ dzieci mogą utknąć wewnątrz i może dojść do wypadku.
- Stare chłodziarki i zamrażarki zawierają materiały izolacyjne i środki chłodzące z czynnikiem CFC. Dlatego, należy mieć na względzie ochronę środowiska przed pozbyciem się starej chłodziarki.
- Należy skontaktować się z samorządem lokalnym i zapytać o miejsce składowania zużytego sprzętu elektronicznego i elektrycznego (WEEE), do celów ponownego użycia, przetwarzania i odzysku.

**Instrukcja użytkownika dotyczy kilku modeli urządzenia. Z tego względu mogą wystąpić pewne różnice.**

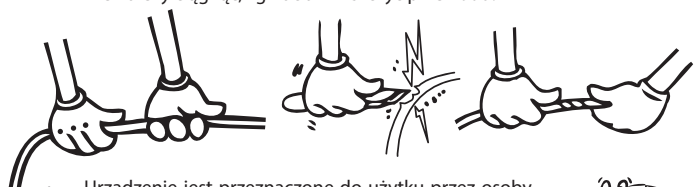
# PRZED ROZPOCZĘCIEM KORZYSTANIA Z URZĄDZENIA

## UWAGI:

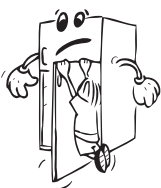
- Przed montażem i rozpoczęciem korzystania z urządzenia należy dokładnie przeczytać instrukcję obsługi. Nie ponosimy odpowiedzialności za szkody spowodowane nieprawidłowym użytkowaniem urządzenia.
- Należy postępować zgodnie z instrukcjami znajdującymi się na urządzeniu i instrukcją obsługi, oraz przechowywać instrukcję w bezpiecznym miejscu, aby móc rozwiązać problemy, które mogą się pojawić w przyszłości.
- Urządzenie jest przeznaczone do użytku domowego i może być używane wyłącznie w domach oraz do określonych celów. Urządzenie nie jest przeznaczone do komercyjnego lub publicznego użytku. Takie zastosowanie urządzenia spowoduje unieważnienie gwarancji. Nasza firma nie ponosi odpowiedzialności za ewentualne straty.
- Urządzenie jest przeznaczone do użytku domowego i służy wyłącznie do chłodzenia i przechowywania żywności. Urządzenie to nie jest przeznaczone do komercyjnego lub publicznego użytku i (lub) do przechowywania substancji innych niż żywność. Nasza firma nie ponosi odpowiedzialności za straty, które mogą wystąpić w wypadku nieprzebrzegania tych zaleceń.

## OSTRZEŻENIA DOTYCZĄCE BEZPIECZEŃSTWA

- Nie należy używać rozgałęziaczy elektrycznych ani przedłużaczy.
- Nie należy podłączać zniszczonych, pękniętych lub starych wtyczek.
- Nie należy ciągnąć, zginać ani niszczyć przewodu.



- Urządzenie jest przeznaczone do użytku przez osoby dorosłe. Nie należy dopuszczać, aby dzieci bawiły się urządzeniem ani zawieszały się na drzwiach chłodziarki.
- Aby uniknąć porażenia prądem elektrycznym, nie należy wkładać ani wyciągać wtyczki z gniazda elektrycznego mokrą dłoń!
- Dla własnego bezpieczeństwa w lodówce nie należy umieszczać wybuchowych ani materiałów łatwopalnych. Napoje z wyższą zawartością alkoholu należy umieszczać pionowo w lodówce oraz zadbać, aby były szczelnie zamknięte.
- Nie należy pokrywać obudowy chłodziarki ani górnej jej części ozdobami. Wpływa to na działanie chłodziarki.
- Należy zabezpieczyć akcesoria chłodziarki podczas transportu, aby zapobiec ich zniszczeniu.

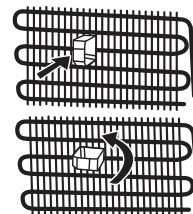


## MONTAŻ I OBSŁUGA CHŁODZIARKI

Przed rozpoczęciem korzystania z chłodziarki należy zwrócić uwagę na następujące kwestie:

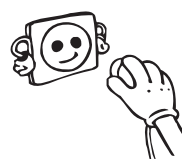
- Napięcie robocze chłodziarki wynosi 220–240 V (50 Hz).
- Wtyczka musi być dostępna po zamontowaniu urządzenia.
- Przy pierwszym podłączeniu urządzenia może pojawić się nieprzyjemny zapach. Zniknie on po rozpoczęciu chłodzenia przez urządzenie.
- Przed podłączeniem zasilania należy upewnić się, że napięcie na tabliczce znamionowej odpowiada napięciu w domowej instalacji elektrycznej.
- Należy włożyć wtyczkę do gniazda z działającym uziemieniem. Jeśli gniazdo nie posiada uziemienia, lub wtyczka nie pasuje, sugerujemy skontaktować się z autoryzowanym elektrykiem w celu uzyskania pomocy.
- Urządzenie musi być połączone do właściwie zamontowanego gniazda z bezpiecznikiem. Zasilanie prądem przemiennym oraz napięcie w miejscu podłączenia urządzenia musi odpowiadać napięciu na tabliczce znamionowej urządzenia (tabliczka znamionowa znajduje się po lewej stronie wewnątrz urządzenia).
- Nie ponosimy odpowiedzialności za szkody, które mogą wystąpić po podłączeniu urządzenia do gniazda bez uziemienia.
- Chłodziarkę należy umieścić w miejscu nienarażonym na działanie promieni słonecznych.

- Chłodziarka nigdy nie powinna być używana na zewnątrz ani narażona na działanie deszczu.
- Urządzenie powinno znajdować się w odległości co najmniej 50 cm od pieców, kuchenek gazowych i nagrzewnic oraz co najmniej 5 cm od kuchenek elektrycznych.
- Jeśli chłodziarka znajduje się obok zamrażarki, należy zostawić pomiędzy nimi przerwę co najmniej 2 cm, aby zapobiec zawilgoceniu zewnętrznej powierzchni.
- Nie należy umieszczać ciężkich przedmiotów na urządzeniu.
- Przed rozpoczęciem korzystania z urządzenia należy je dokładnie wyczyścić, szczególnie wewnętrzną część (zobacz punkt Czyszczenie i konserwacja).
- Procedura montażu urządzenia w kuchni znajduje się w instrukcji montażu. Urządzenie może być używane wyłącznie w odpowiednich zabudowach kuchennych.
- Regulowane przednie nogi urządzenia powinny zostać dopasowane tak, aby urządzenie stało równo i stabilnie. Nogi urządzenia można wyregulować, obracając je zgodnie z kierunkiem wskazówek zegara (lub w przeciwnym kierunku). Należy to zrobić przed umieszczeniem żywności w urządzeniu.
- Przed rozpoczęciem korzystania z chłodziarki należy przetrzeć wszystkie części z tyłu urządzenia ciepłą wodą z dodatkiem łyżeczki sody oczyszczonej, a następnie przepłukać czystą wodą i wytrzeć do sucha. Po wyczyszczeniu należy umieścić wszystkie części w urządzeniu.
- Należy zamontować plastikowy element dystansowy, (część z czarnymi strzałkami z tyłu) obracając go o 90° w sposób pokazany na rysunku, aby skraplacz nie dotykał ściany.



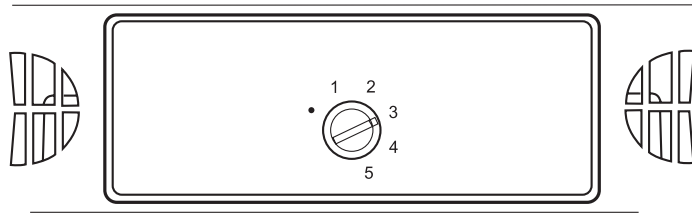
## PRZED ROZPOCZĘCIEM KORZYSTANIA Z CHŁODZIARKI

- Przy pierwszym użyciu lub po transporcie należy postawić chłodziarkę w pozycji pionowej przez 3 godziny, a następnie podłączyć ją do zasilania, aby zapewnić skuteczne funkcjonowanie. W przeciwnym razie można uszkodzić sprężarkę.
- Podczas pierwszego użycia może wydzielać się nieprzyjemny zapach, który powinien zniknąć gdy chłodziarka zacznie chłodzić.



## OBSŁUGA CHŁODZIARKI

### USTAWIANIE TERMOSTATU



Termostat automatycznie reguluje temperaturę wewnątrz chłodziarki. Obracając pokrętkę w pozycji 1 do 5, można ustawić niższe temperatury.

**UWAGA!**  
Nie należy próbować obracać pokrętkę poza pozycję 1, ponieważ spowoduje to wyłączenie urządzenia.

- Do krótkiego przechowywania żywności w chłodziarce można ustawić pokrętkę w pozycji pomiędzy minimalną a średnią mocą chłodniczą (1–3).
- Do dłuższego przechowywania żywności w chłodziarce można ustawić pokrętkę w pozycji średniej mocy chłodniczej (3–4).

Należy pamiętać, że czynniki, takie jak temperatura otoczenia, temperatura przechowywanej świeżej żywności oraz częstotliwość otwierania drzwi urządzenia wpływają na temperaturę wewnątrz chłodziarki. W razie potrzeby można zmieniać ustawienia temperatury.

# OBSŁUGA CHŁODZIARKI

- Po pierwszym włączeniu zaleca się odczekać 24 godziny przed włożeniem żywności. Jeżeli jest potrzebne natychmiastowe rozpoczęcie chłodzenia, nie należy jednorazowo umieszczać w chłodziarce zbyt dużo żywności.
- Jeśli urządzenie jest wyłączone lub odłączone od zasilania, należy przed ponownym włączeniem odczekać co najmniej 5 minut, aby nie uszkodzić sprężarki.
- Chłodziarki podblatowe nie są wyposażone w komorę zamrażania, jednak mogą uzyskiwać temperaturę chłodzenia 4–6°C.

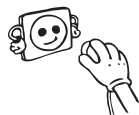
## PRZECHOWYWANIE ŻYWNOSCI W URZĄDZENIU

Chłodziarka służy do kilkudniowego przechowywania świeżej żywności.

- Nie należy dopuszczać do bezpośredniego kontaktu żywności z tylną ścianką chłodziarki. Należy zostawić odpowiednią odległość od żywności w celu zapewnienia cyrkulacji powietrza.
- Nie należy umieszczać w chłodziarce gorących produktów lub parujących płynów.
- Produkty żywnościowe należy zawsze przechowywać w zamkniętych pojemnikach lub zawiązać je.
- Aby zmniejszyć wilgotność i zapobiegać tworzeniu się szronu, nigdy nie należy wstawiać do chłodziarki płynów w otwartych naczyniach.
- Zawinięte wędliny zaleca się umieszczać na szklanej półce powyżej pojemnika na warzywa, gdzie powietrze jest chłodniejsze.
- Owoce i warzywa można bez opakowania włożyć do szuflady na świeże warzywa.
- Aby uniknąć wydostawania się chłodnego powietrza, nie należy zbyt często otwierać chłodziarki ani nie zostawiać otwartych drzwi na dłuższy czas.

## CZYSZCZENIE I KONSERWACJA

- Przed czyszczeniem należy odłączyć urządzenie od zasilania.



- Chłodziarki nie należy czyścić przez polewanie wodą.



- Komorę chłodziarki należy czyścić okresowo przy użyciu sody oczyszczonej rozpuszczonej w letniej wodzie.



- Wewnętrzne i zewnętrzne części urządzenia można czyścić miękką szmatką lub gąbką nasączoną wodą z mydłem.



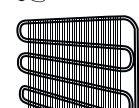
- Poszczególne akcesoria należy czyścić wodą z mydłem. Nie należy ich myć w zmywarce.



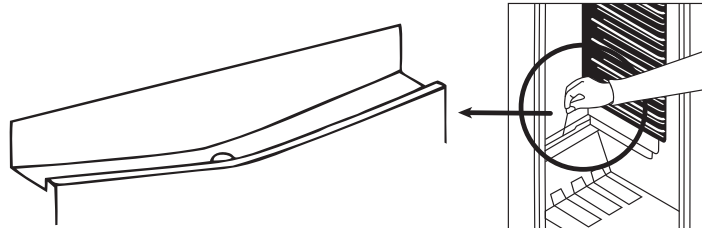
- Nie należy używać środków ściernych, detergentów ani mydeł. Po wyczyszczeniu należy przepłukać urządzenie czystą wodą i dokładnie wysuszyć. Po ukończeniu czyszczenia można podłączyć wtyczkę do gniazdka suchą dłonią.



- Skraplacz należy czyścić szczotką lub miotłą przynajmniej dwa razy w roku, aby zapewnić oszczędność energii oraz wysoką sprawność chłodzenia.

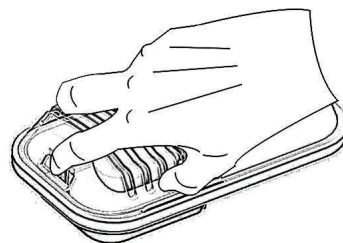


## ROZMRAŻANIE CHŁODZIARKI

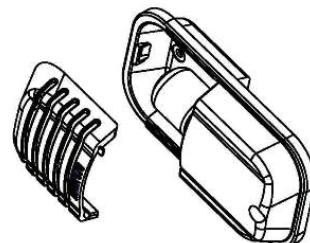


- Rozmrażanie odbywa się automatycznie podczas działania chłodziarki. Skropliny są gromadzone w komorze odparowywania, gdzie następuje ich automatyczne odparowanie.
- Otwór odprowadzający skropliny należy okresowo czyścić za pomocą wkładki, aby zapobiegać gromadzeniu się wody w dolnej części chłodziarki i umożliwić jej odpływ.
- Do otworu można także wlać ½ szklanki wody, aby wyczyścić wnętrze otworu.

## WYMIANA ŻARÓWKI



Rysunek 1



Rysunek 2

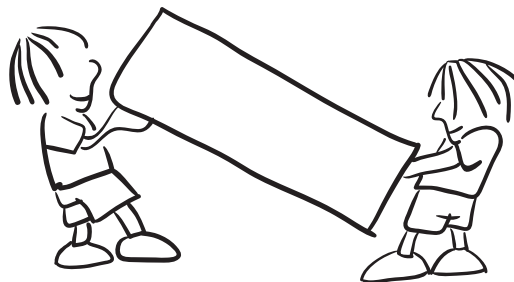
### WYMIANA ŻARÓWKI W CHŁODZIARCE

1. Odłączyć urządzenie od zasilania.
2. Nacisnąć zatrzask z przodu osłony żarówki zgodnie z rysunkiem 1 i zdjąć osłonę.
3. Wymienić żarówkę na nową o mocy nie większej niż 15 W.
4. Założyć osłonę żarówki, odczekać 5 minut i włączyć urządzenie.

## DOSTAWA I ZMIANA MIEJSCA MONTAŻU

Transport i zmiana miejsca montażu

- Oryginalne opakowanie i styropian transportowy można zachować na potrzeby późniejszego transportu (opcjonalnie).
- Chłodziarkę należy opakować grubą warstwą materiału transportowego i zabezpieczyć taśmą lub sznurkiem oraz postępować zgodnie z instrukcjami transportu umieszczonymi na opakowaniu.
- Zdjąć ruchome części (półki, akcesoria, pojemniki na warzywa itp.) lub przymocować je taśmą do chłodziarki w celu zabezpieczenia przed uderzeniami podczas transportu lub zmiany miejsca montażu.



# ZANIM SKONTAKTUJESZ SIĘ Z PUNKTEM SERWISOWYM

Jeśli chłodziarka nie działa prawidłowo, może to być wina drobnej usterki, dlatego należy sprawdzić następujące elementy.

## Urządzenie nie działa.

### Należy sprawdzić, czy:

- Nie wystąpiła awaria zasilania.
- Główna wtyczka jest odpowiednio umieszczona w gniazdku oraz czy nie jest luźna.
- Termostat znajduje się w położeniu «**«**».
- Gniazdo nie jest wadliwe. Aby to sprawdzić, należy podłączyć do danego gniazda inne sprawne urządzenie.

## Urządzenie działa nieprawidłowo.

### Należy sprawdzić, czy:

- Urządzenie nie jest przeładowane.
- Drzwi nie są niedomknięte.
- Nie ma wystarczającej wentylacji w zabudowie kuchennej, zgodnie z opisem w instrukcji montażu.

## Jeśli urządzenie emituje hałas:

Gaz chłodniczy, który krąży w obwodzie chłodziarki, może powodować lekki hałas (bulgoczący dźwięk) nawet, gdy skraplacz nie znajduje się w trybie pracy. Nie należy się tym przejmować, ponieważ jest to normalne zjawisko. Jeśli dźwięki mają inny charakter, należy sprawdzić, czy:

- Urządzenie jest ustawione stabilnie, zgodnie z opisem w instrukcji montażu.
- Przedmioty znajdujące się na urządzeniu nie wibrują.

## Jeśli w dolnej części chłodziarki znajduje się woda:

### Należy sprawdzić, czy:

Otwór odprowadzający skropliny nie jest zablokowany (wyczyścić go za pomocą czyszczy do pomocy wkładki).

## Jeśli chłodziarka nie chłodzi wystarczająco:

Chłodziarka została zaprojektowana z myślą o działaniu w zakresie temperatur otoczenia określonym w standardach, zgodnie z klasą klimatyczną znajdującą się na etykiecie informacyjnej. Nie zaleca się używania chłodziarki w temperaturach przekraczających wskazane wartości, ponieważ może to negatywnie wpłynąć na sprawność chłodzenia.

Klasa klimatyczna	Temperatura otoczenia °C
T	Od 16 do 43 (°C)
ST	Od 16 do 38 (°C)
N	Od 16 do 32 (°C)
SN	Od 10 do 32 (°C)

## • ZALECENIA

- W przypadku awarii zasilania należy wyciągnąć i odłączyć chłodziarkę od zasilania w celu uniknięcia problemów ze sprężarką. Należy odczekać 5–10 minut przed ponownym podłączeniem urządzenia do zasilania.
- Po celowym odłączeniu zasilania chłodziarki należy odczekać co najmniej 5 min przed jej ponownym podłączeniem. Zastosowanie się do tego zalecenia pozwoli uniknąć uszkodzenia elementów chłodziarki.
- Moduł chłodzący jest ukryty za tylną ścianką chłodziarki. Z tego względu na powierzchni tylnej ścianki chłodziarki mogą pojawiać się krople wody lub lód z powodu okresowego działania sprężarki. Jest to normalne zjawisko. Jeśli na powierzchni nie zgromadziło się zbyt dużo lodu, nie jest konieczne rozmrażanie.
- Jeśli chłodziarka nie będzie używana przez dłuższy czas (np. w czasie wakacji letnich), termostat należy ustawić w położeniu «**«**». Po rozmrożeniu chłodziarki należy wyczyścić wnętrze chłodziarki i zostawić otwarte drzwi w celu usunięcia wilgoci i zapachów.
- Jeśli problem będzie się powtarzał po wykonaniu wszystkich powyższych instrukcji, należy skonsultować się z najbliższym autoryzowanym punktem serwisowym.
- Zakupione urządzenie jest przeznaczone do użytku domowego i może być używane wyłącznie w domach oraz do określonych celów. Urządzenie nie jest przeznaczone do komercyjnego lub publicznego użytku. W przypadku użytkowania urządzenia niezgodnie z jego przeznaczeniem podkreślamy, że producent i dystrybutor nie ponoszą odpowiedzialności za naprawy i usterki występujące w okresie obowiązywania gwarancji.

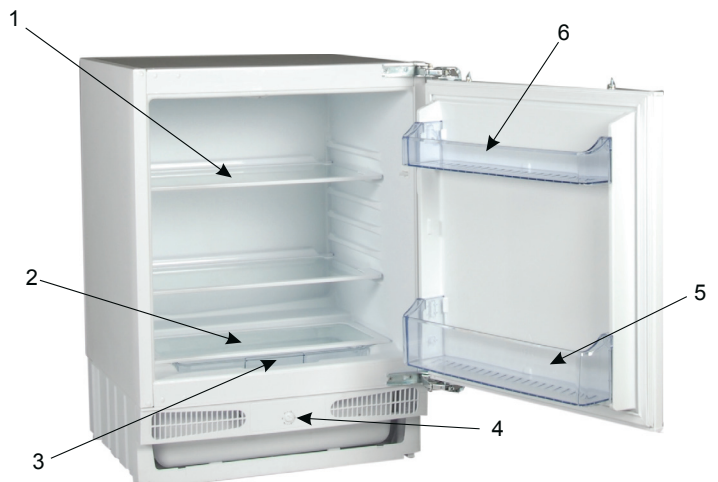
## • INFORMACJE DOTYCZĄCE ZGODNOŚCI

- Urządzenie jest przeznaczone do użytku w temperaturze otoczenia od 10°C do 32°C.
- Urządzenie zostało zaprojektowane zgodnie z normami IEC60335-1 / IEC60335-2-24, 2004/108/WE.

## WSKAZÓWKI DOTYCZĄCE OSZCZĘDZANIA ENERGII

1. Urządzenie należy umieścić w chłodnym, dobrze wentylowanym pomieszczeniu, w miejscu nienasłonecznionym, z dala od źródeł ciepła (kaloryfera, kuchenki gazowej itp.). W przeciwnym razie należy użyć płyty izolacyjnej.
2. Ciepłą żywność oraz napoje należy pozostawić do schłodzenia przed włożeniem ich do urządzenia.
3. Napoje i płyny oraz żywność w postaci półpłynnej należy przykryć przed umieszczeniem ich w urządzeniu. W przeciwnym razie wzrośnie poziom wilgotności w urządzeniu. To z kolei wydłuży czas pracy urządzenia. Przykrycie napojów i płynów pozwala zachować na dłużej ich zapach i smak.
4. Umieszczając żywność i napoje w urządzeniu, należy otwierać drzwi urządzenia na możliwie najkrótszy czas.
5. Należy pamiętać o zamykaniu komór o różnych temperaturach w urządzeniu (pojemnik na owoce i warzywa, komora chłodząca itp.).
6. Uszczelka w drzwiach urządzenia powinna być czysta i elastyczna. Zużyte uszczelki należy wymienić.

## CZĘŚCI I KOMORY URZĄDZENIA

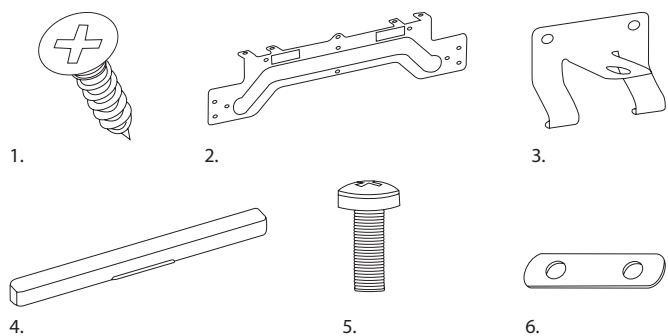


**W tym punkcie zaprezentowano informacje na temat części urządzenia. Części mogą się różnić w zależności od modelu urządzenia.**

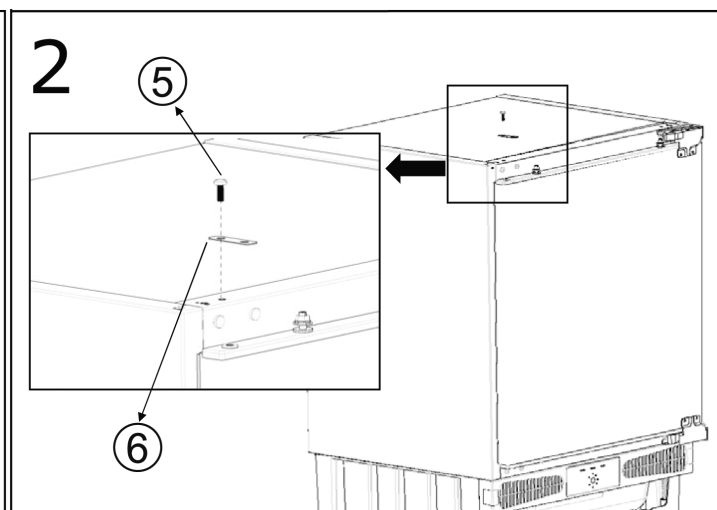
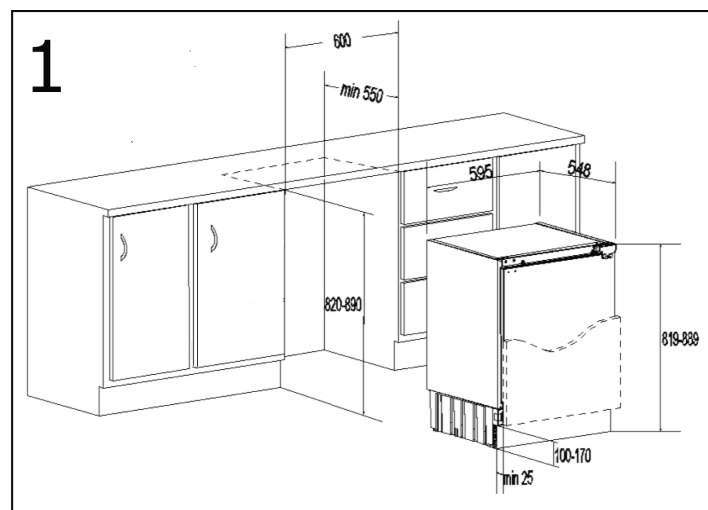
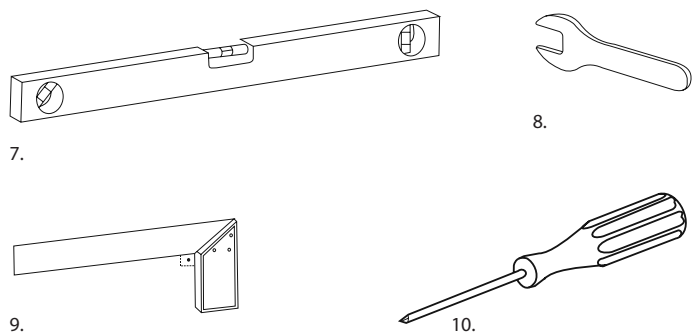
- 1) Półki chłodziarki
- 2) Pokrywa pojemnika na owoce i warzywa
- 3) Pojemnik na owoce i warzywa
- 4) Pokrętło termostatu
- 5) Półki drzwi
- 6) Podstawka na jajka

# INSTRUKCJA MONTAŻU

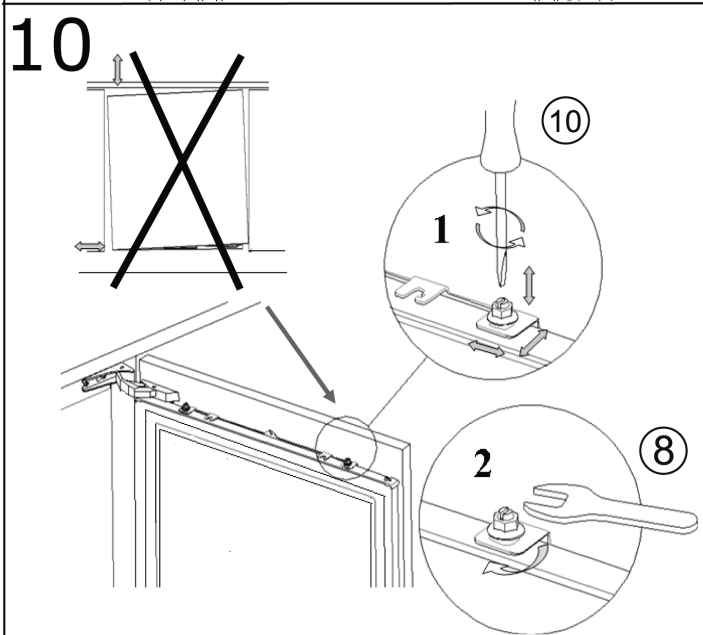
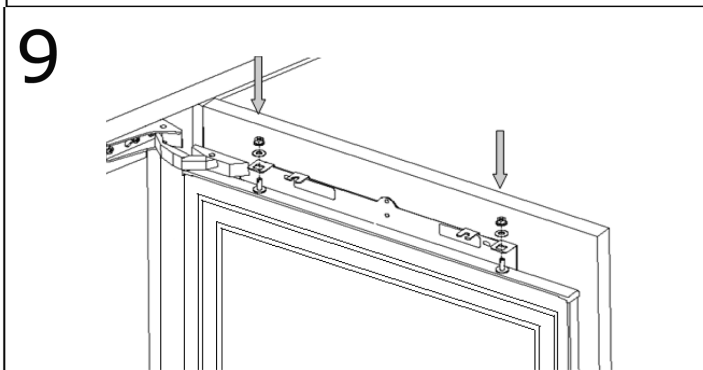
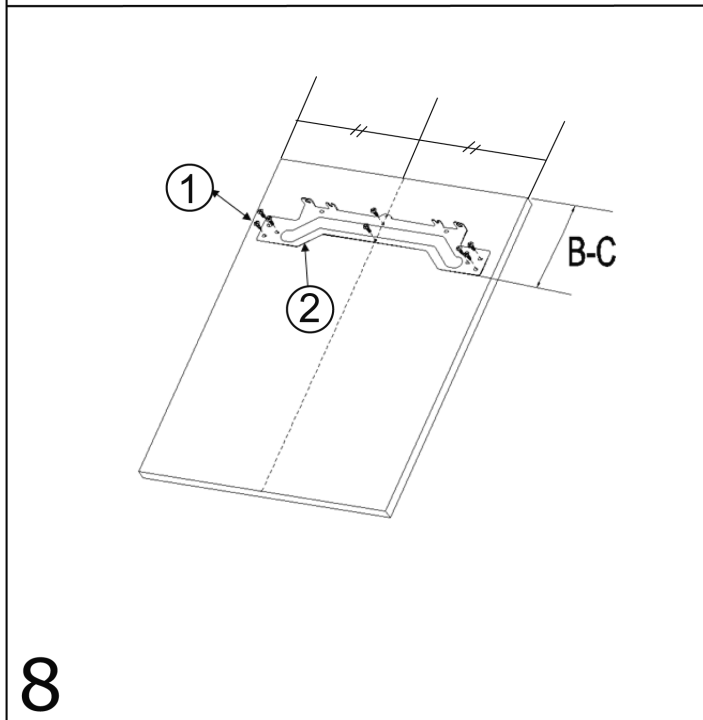
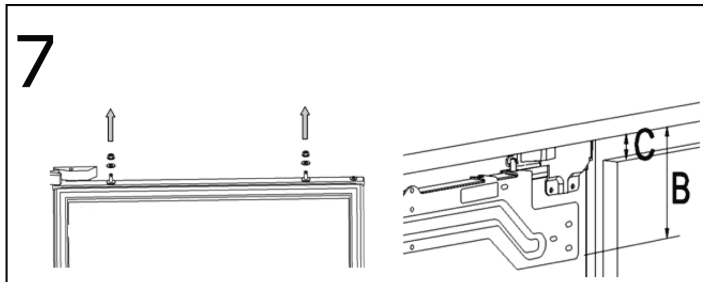
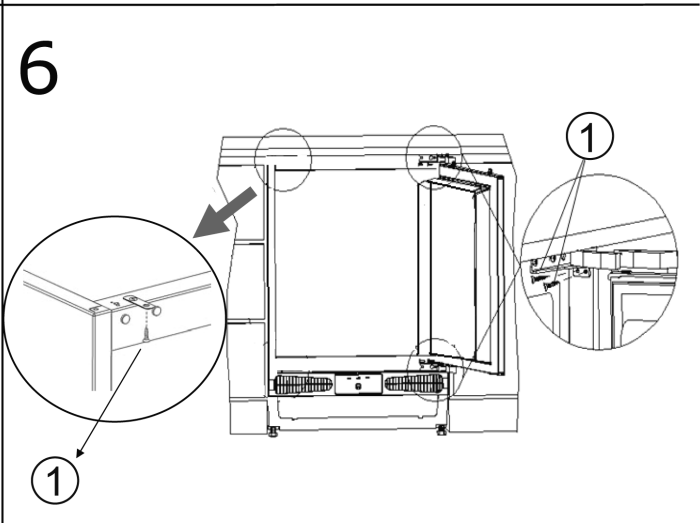
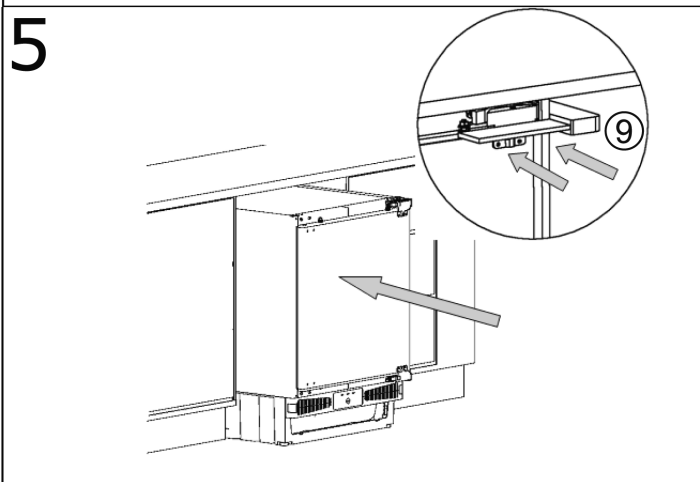
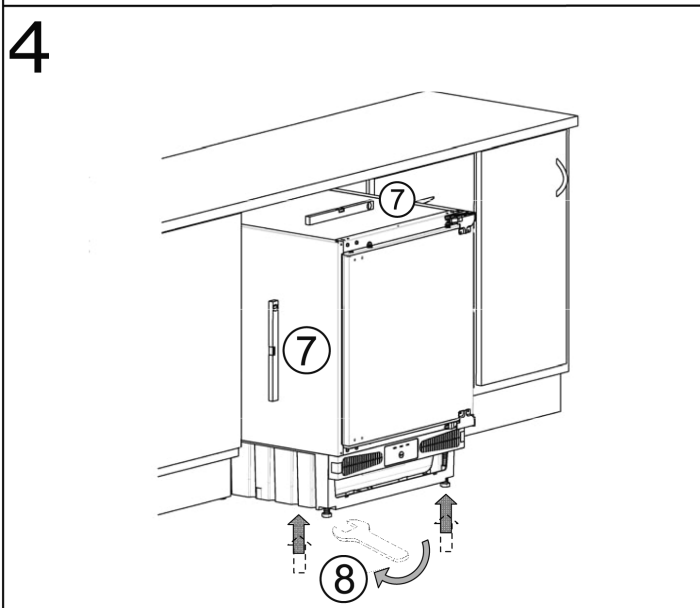
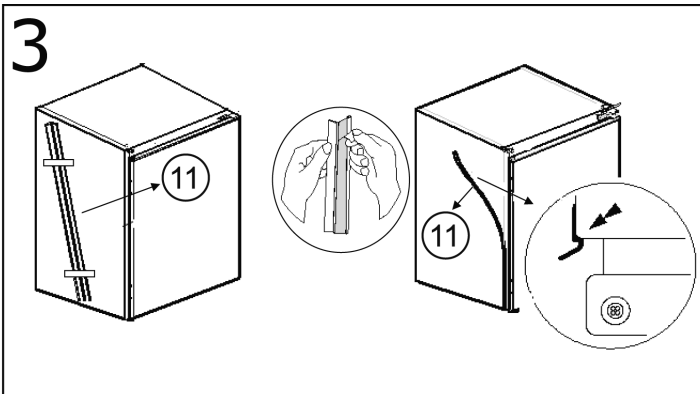
## ZAWARTOŚĆ ZESTAWU MONTAŻOWEGO



## POTRZEBNE NARZĘDZIA

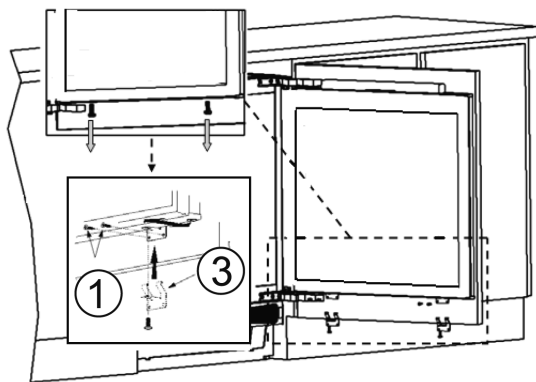




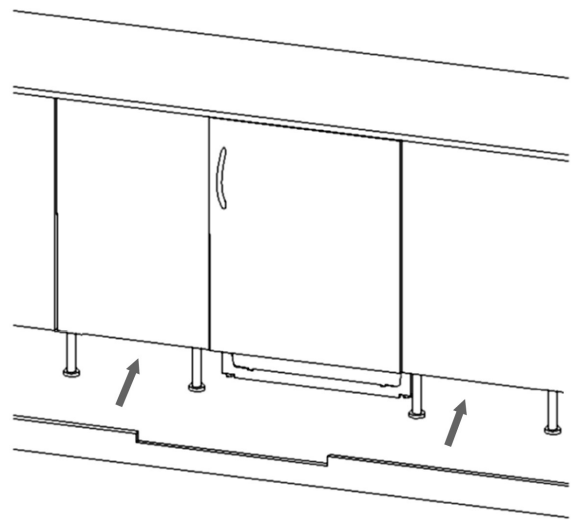




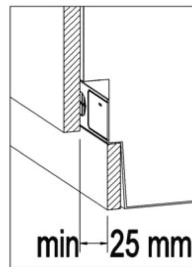
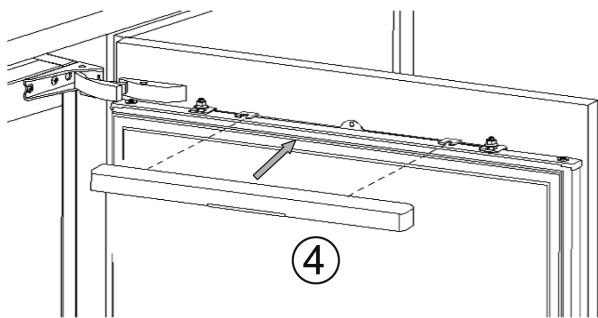
11



13



12







FOR YEARS TO COME

# freggia



Istruzioni in formato elettronico e` possibile scaricare dal sito [www.freggia.com](http://www.freggia.com)

This manual can be downloaded at [www.freggia.com](http://www.freggia.com)

Инструкцию в электронном виде можно скачать на сайте [www.freggia.com](http://www.freggia.com)

Інструкцію в електронному вигляді можна завантажити на сайті [www.freggia.com](http://www.freggia.com)

Instrukcję w formie elektronicznej można pobrać ze strony internetowej [www.freggia.com](http://www.freggia.com)

Un posto per adesivi

Sticker place

Место для наклейки

Місце для наклейки

Miejsce na naklejkę



059